

STRAIGHTAWAY 100

Maximum door weight 100kg

DH - Door height, 2700mm

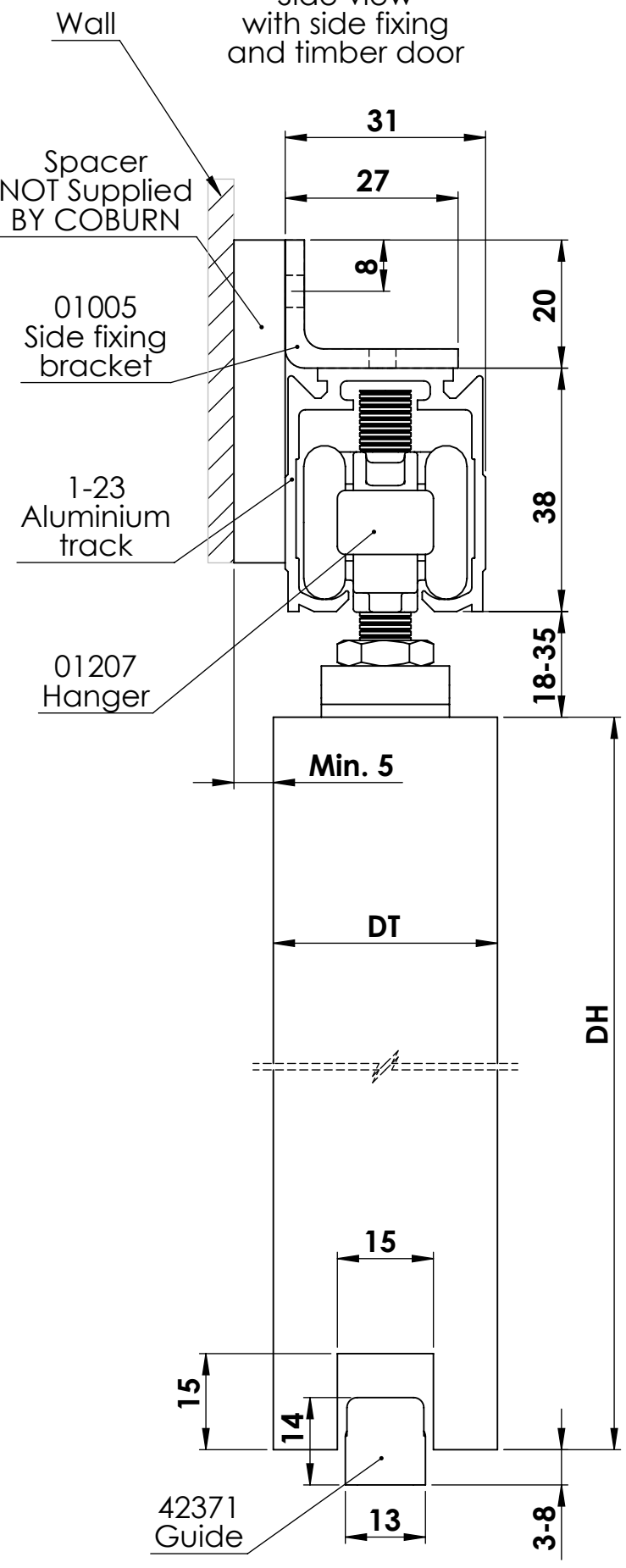
DWi - Door width

DT - Door thickness, between 20mm and 50mm

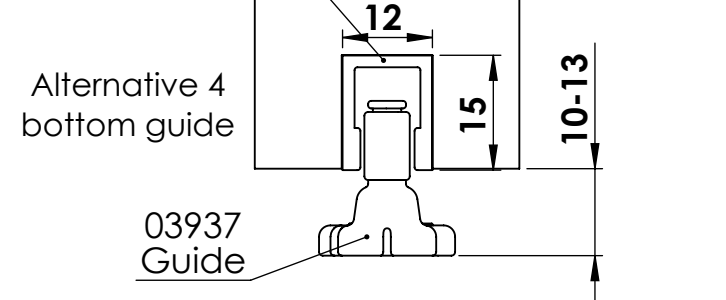
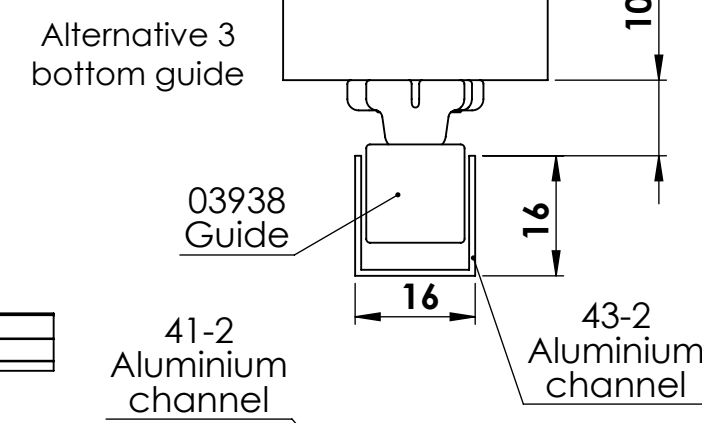
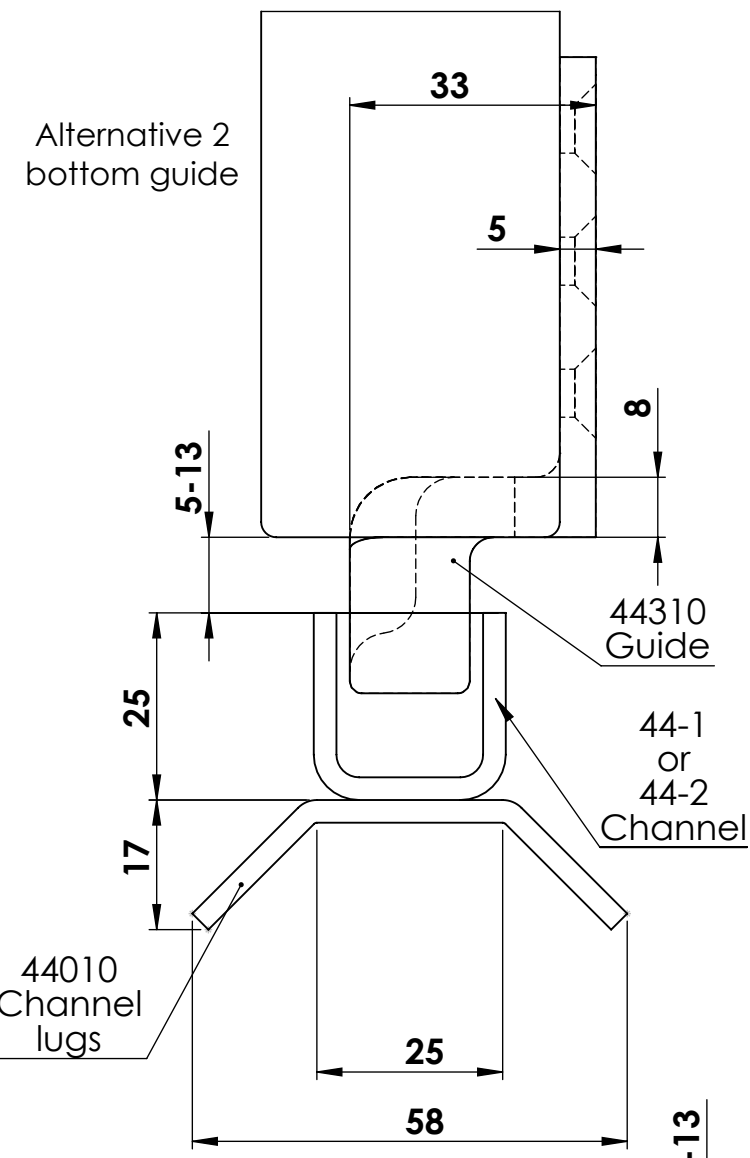
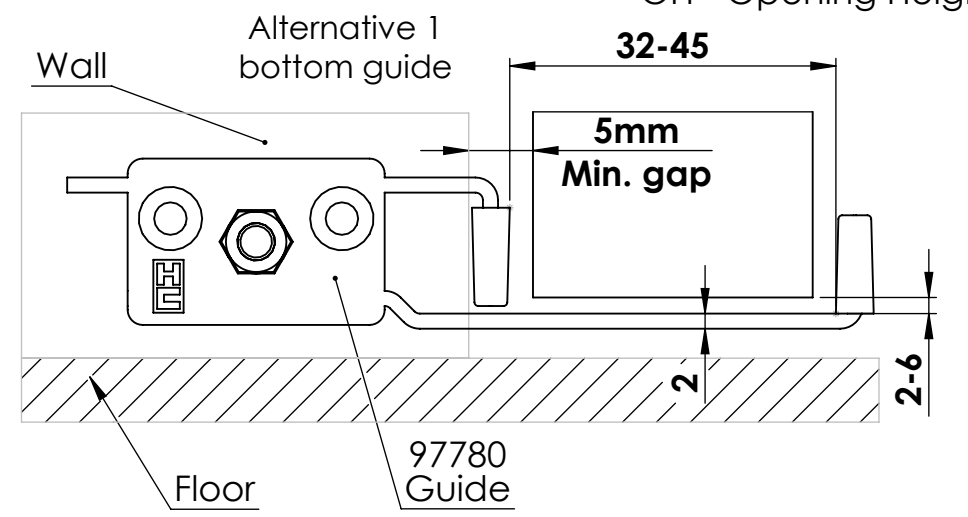
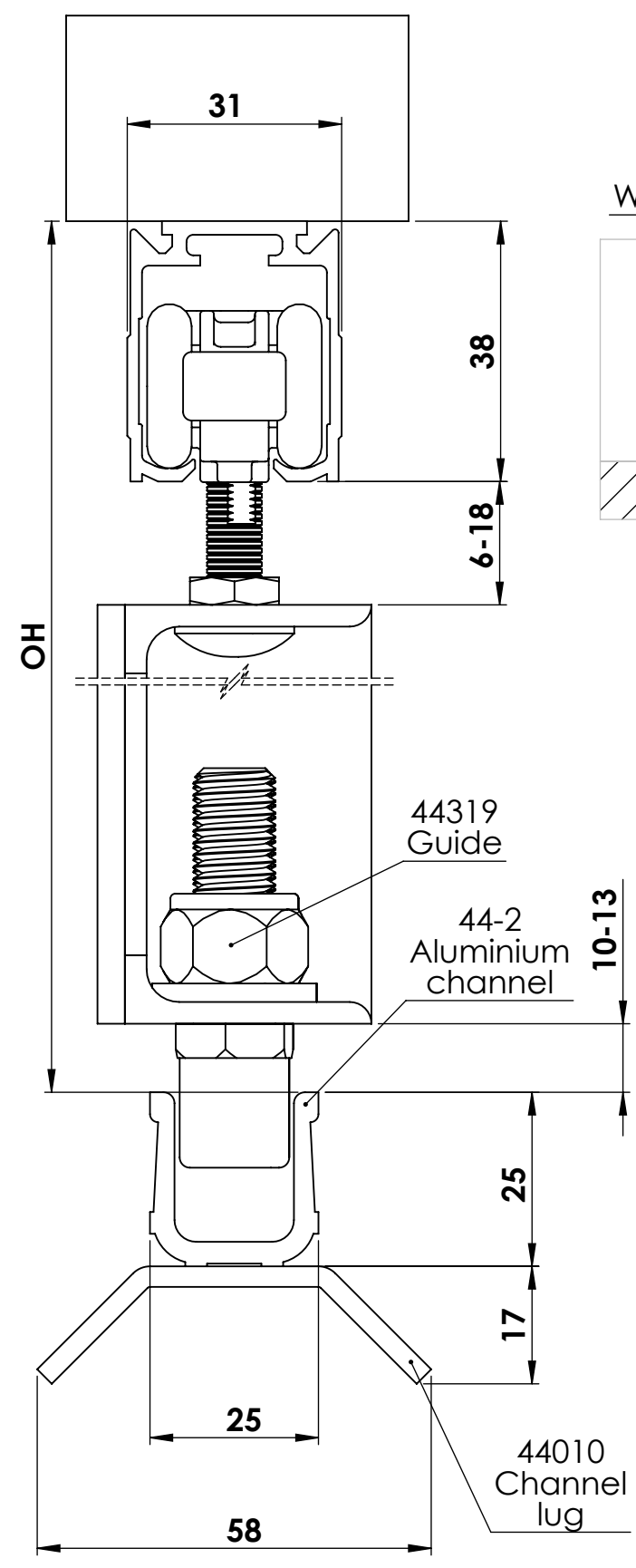
OW - Opening width

OH - Opening Height

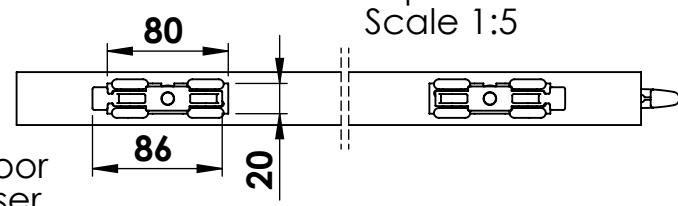
Side view with side fixing and timber door



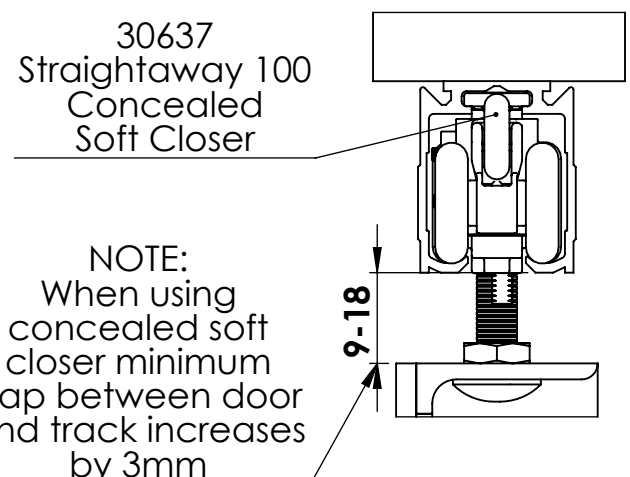
Side view with soffit fixing and metal door



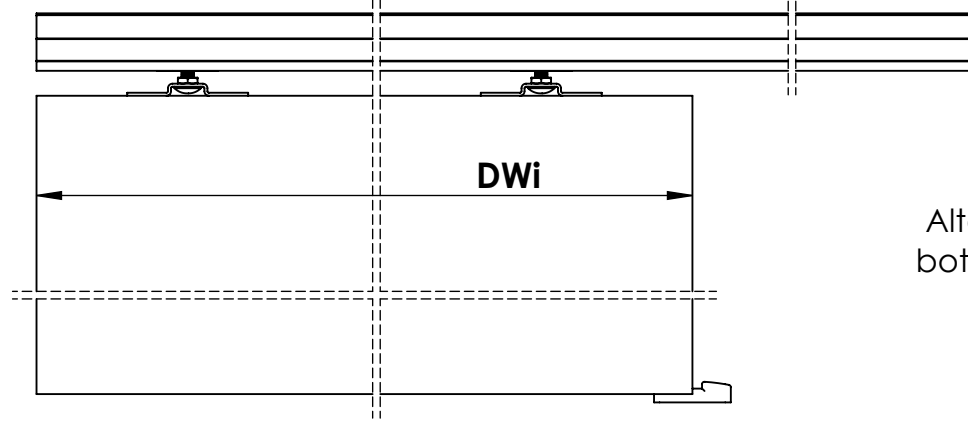
Top view Scale 1:5



Side view with soffit fixing, metal door and concealed soft closer Scale 2:3



Front view Scale 1:5



NOTE:
When using concealed soft closer minimum gap between door and track increases by 3mm