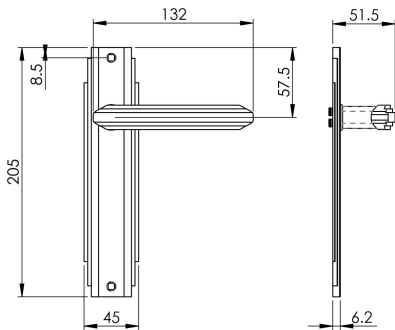


Art Deco Lever on Backplate Range

ADR011



This straight lever has stepped lines and an angular cut at either end and with this detailing repeated on the backplate easily captures the essence of the Art-Deco era. The Art Deco range of handles and accessories are simply breathtaking in their sophistication and simply ooze elegance, charm and style. Art Deco never goes out of fashion and they will look absolutely stunning in either traditional or contemporary settings. The initiative from the outset was to achieve quality and excellence in design and the attention to detail reflects this high standard has certainly been realised throughout from conception to the finished product.

