

ERA

723 Safety Locking Restrictor Fitting Instructions

Installing Safety Locking Restrictor

Please read the instructions carefully before mounting and using the locking device. The child protective function of the locking device may be affected if you do not follow the instructions. Keep the instructions for future reference. Suitable for inward and outward opening hinged windows and doors. Maximum size: 2100mm high x 1000mm wide.

We recommend using 5 x 4.5 x 45mm Gimlet Point screws (included) for PVCu, Timber and Aluminium windows and doors. If fitting to hardwood or aluminium drill 2.0mm pilot holes, please ensure that you remove any swarf from the window surface after pre-drilling. To fit a Safety Locking Restrictor, you will require: a bradawl (or drill with 2.0mm drill bit), a screwdriver and a pencil.

- A** We recommend positioning above the handle when fitted vertically on a window/ door and positioned to the side of the handle when fitted horizontally for free movement of handle
- B** To select the position for the Locking Restrictor please mark the position of the cable holder on the sash. Open the window to the preferred distance of less than 89mm (to comply with BS EN 16281:2013), position the lock body on the frame and mark
- C** Once you have correctly determined the position, using the lock body screw on to the frame (cable insertion facing upwards)
- D** With the cable inserted into the lock body, position the cable holder on the window/door, release the cable and screw into position. Peel off the film from the back of the screw covers and stick into position

IMPORTANT: Check the opening distance is correct (diagram B) and the functional operation of the lock is correct, before completing installation.

Important Information

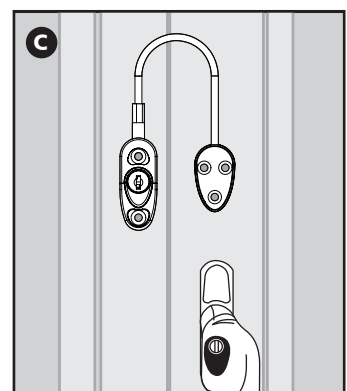
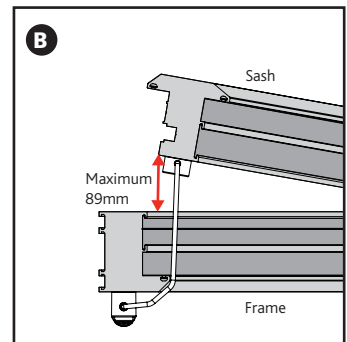
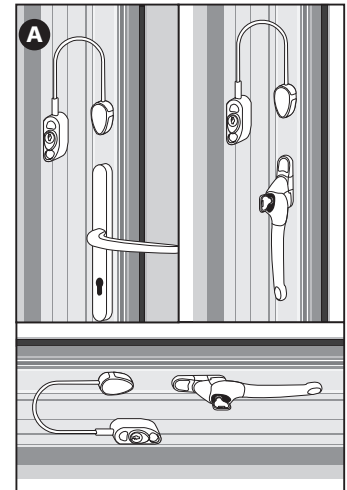
Operation - Key required to lock and unlock.

To lock - Push button in and insert cable into lock body. Let go of button and pull cable until you hear a click. Check cable is secure. Insert key and turn 180° clockwise to lock. Check cable is secure again and remove key. **This locking device does not automatically lock again after it has been completely released.**

To unlock - insert the key and turn 180° anti-clockwise. Remove the key, press the button to release while pulling out the cable.

WARNING - Never leave keys in reach of children or inserted in lock. Keep the removable key used to operate the locking device easily available to adults and older children in case there is a need to fully open the window in an emergency, such as during a fire.

Maintenance - Use moist cloth to clean all type of finish, household abrasives or solvents may affect the surface finish



Classification

The Safety Locking Restrictor - Classification in accordance with BS EN 13126-1: 2011:

Category	1	2	3	4	5	6	7	8	9
Classification	-	3	25	0	3/3	4	-	5/7	900/1200