

Assa 9565 T Flip-up

MOUNTING INSTRUCTION

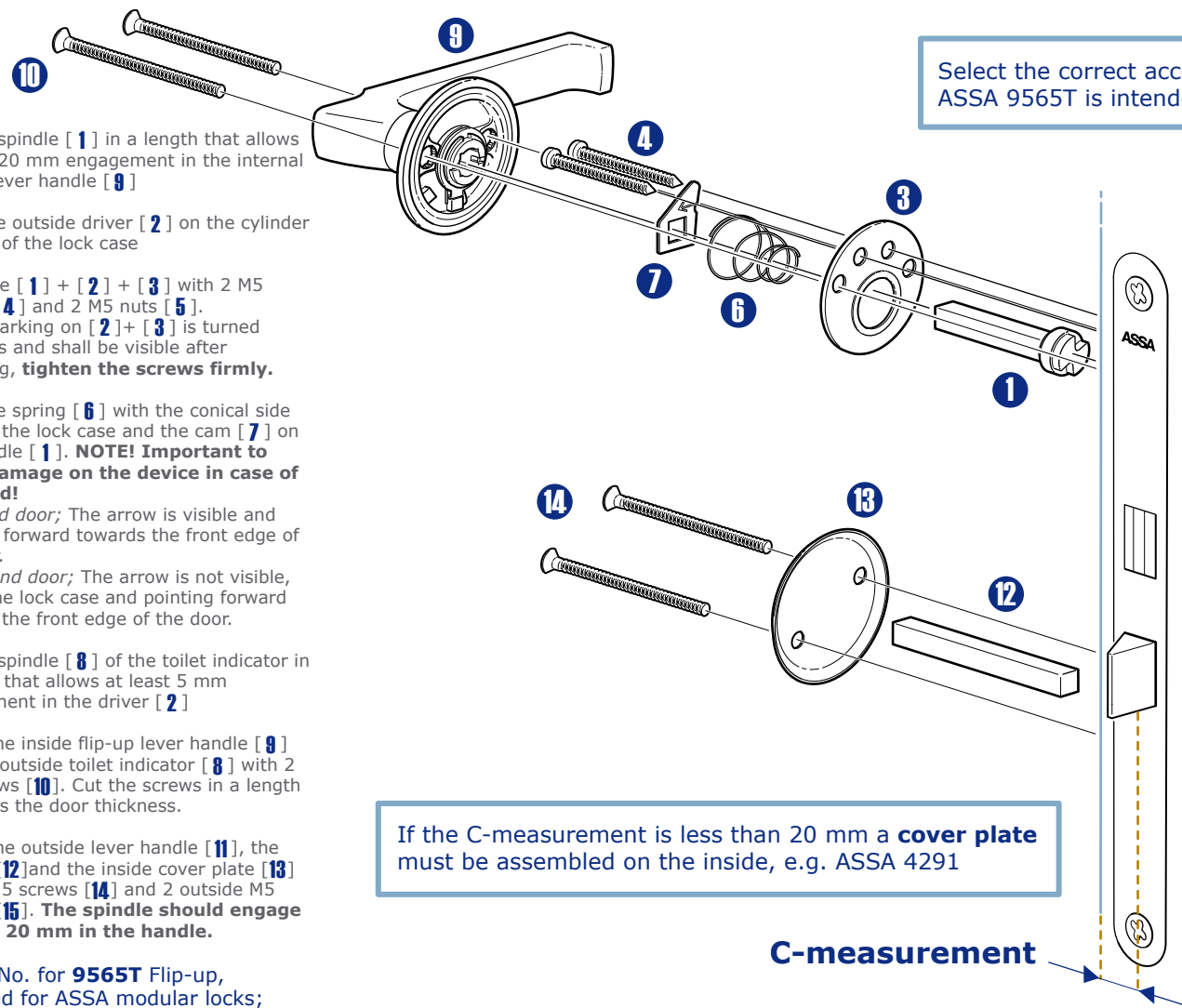
Select the correct accessories for either **right hand** or **left hand** door.
ASSA 9565T is intended for lockcase ASSA 565/50 or ASSA 310-50/70.

- A** Cut the spindle [1] in a length that allows at least 20 mm engagement in the internal flip-up lever handle [9]
- B** Place the outside driver [2] on the cylinder follower of the lock case
- C** Assemble [1] + [2] + [3] with 2 M5 screws [4] and 2 M5 nuts [5]. The x-marking on [2] + [3] is turned outwards and shall be visible after mounting, **tighten the screws firmly.**
- D** Place the spring [6] with the conical side towards the lock case and the cam [7] on the spindle [1]. **NOTE! Important to avoid damage on the device in case of overload!**
Left hand door; The arrow is visible and pointing forward towards the front edge of the door.
Right hand door; The arrow is not visible, facing the lock case and pointing forward towards the front edge of the door.
- E** Cut the spindle [8] of the toilet indicator in a length that allows at least 5 mm engagement in the driver [2]
- F** Mount the inside flip-up lever handle [9] and the outside toilet indicator [8] with 2 M5-screws [10]. Cut the screws in a length that suits the door thickness.
- G** Mount the outside lever handle [11], the spindle [12] and the inside cover plate [13] with 2 M5 screws [14] and 2 outside M5 nipples [15]. **The spindle should engage at least 20 mm in the handle.**

If the C-measurement is less than 20 mm a **cover plate** must be assembled on the inside, e.g. ASSA 4291

Article No. for **9565T** Flip-up,
intended for ASSA modular locks;

R. HAND DOOR 35 19 05 - 101 kpl
L. HAND DOOR 35 19 05 - 102 kpl



Right hand door

