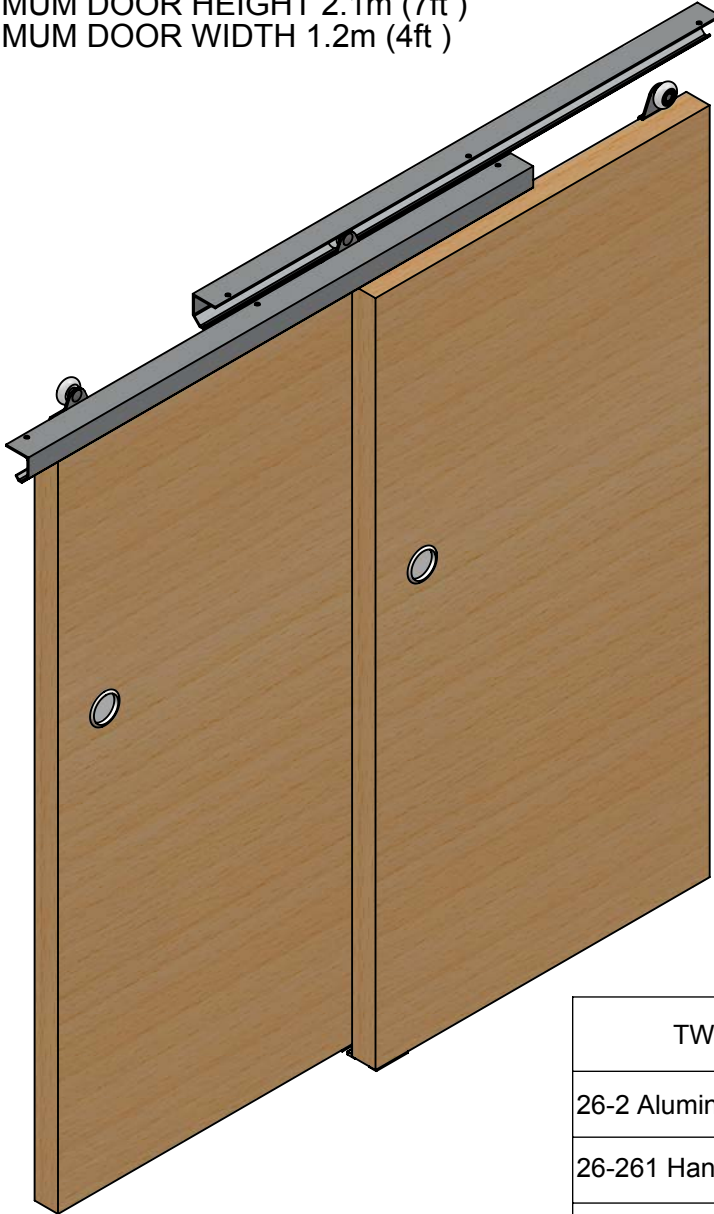


INSTALLATION INSTRUCTIONS

TWIN 100

UNLESS OTHERWISE STATED, ALL DIMENSIONS ARE IN MILLIMETRES

MAXIMUM WEIGHT OF DOOR 45kg (100lb)
 MAXIMUM DOOR HEIGHT 2.1m (7ft)
 MAXIMUM DOOR WIDTH 1.2m (4ft)



COMPONENTS:

TWIN 100 GEAR	1H	6H	8H
26-2 Aluminium Track		1.8 metres	2.4 metres
26-261 Hanger (Front)	2	2	4
26-262 Hanger (Rear)	0	2	2
22-391 Guides	2	4	8
97-726 Door Stop	1	1	2
No.10 x 20mm(3/4") Woodscrews For Track	15	26	36
No.8 x 3/4" woodscrews For Door Stop	3	3	6
No.6 x 16mm(5/8") Woodscrews For Guides and Others	4	8	16

For a setup of one front door and two rear doors, you will need an extra pair of rear hangers.

NB
 These instructions should be treated as general guidance instructions; variations to the procedure may change depending upon site requirements.

Read all instructions before commencing installation.

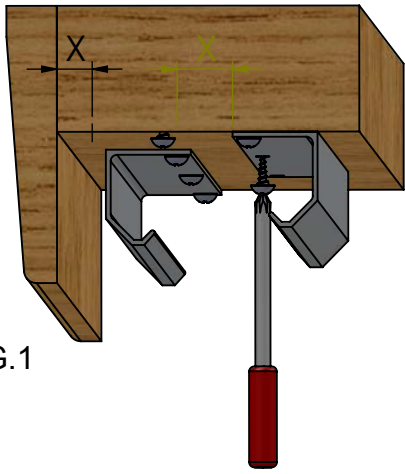


FIG.1

Fix tracks with No.10 x 19(3/4") woodscrews to soffit/support allowing gaps (Dim. 'X') as shown in fig. 1

Secure hanger apron to inside top edge of doors using No.10 x 19 (3/4") woodscrews, positioning screw at top of slots, omitting centre screws at this stage. See fig.2

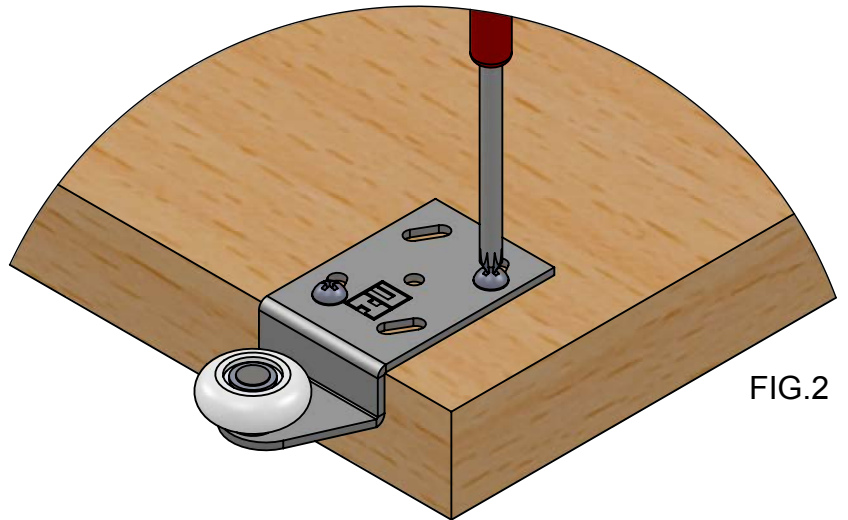


FIG.2

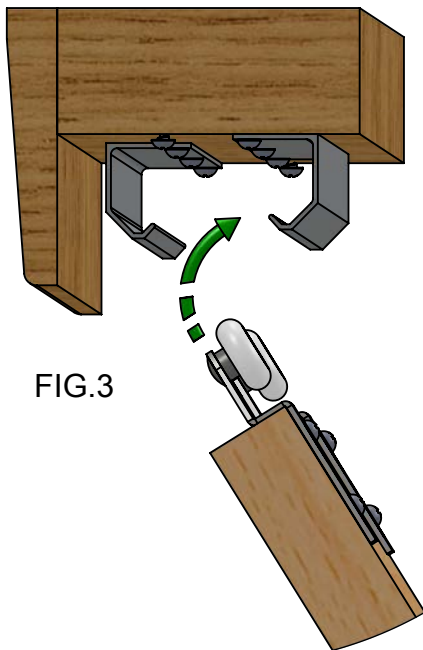


FIG.3

Hold the door at an angle for easy access and hook the rear door onto the track . See fig.3.
Avoid the use of force as hangers may be damaged and the smooth running action impaired.

Hook the front door/doors onto the track/tracks in the same way avoiding the use of force
See fig.4

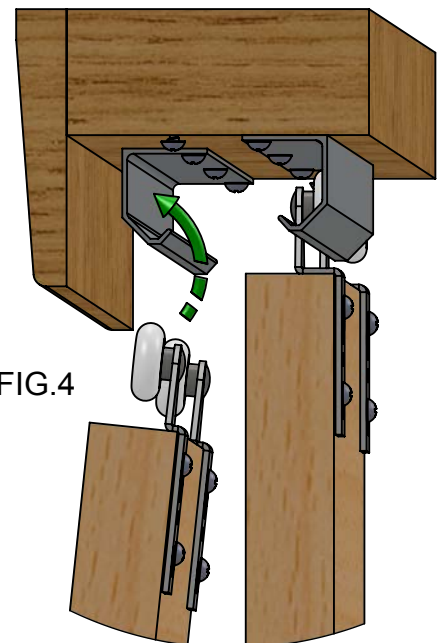
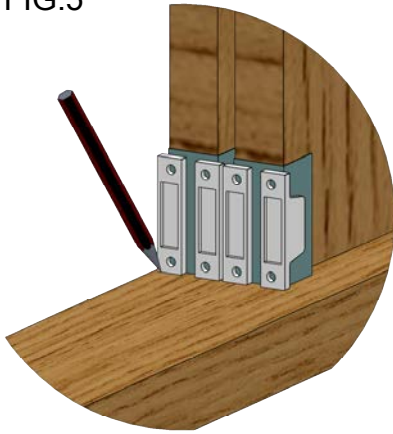


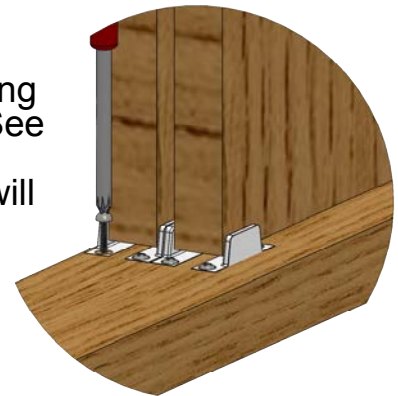
FIG.4

FIG.5

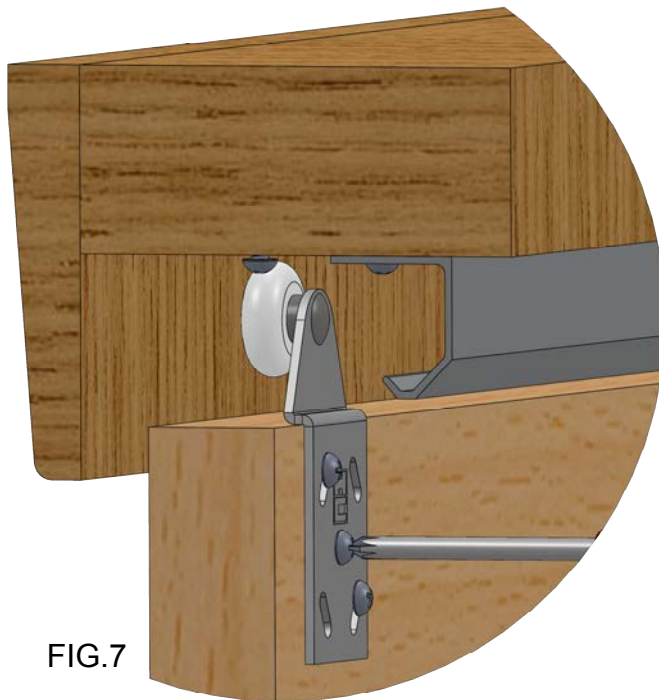


To obtain clearance for guiding, wrap thin cardboard (0.5 - 1.0mm thick) around the edge of each door in turn and mark position of guides when door hangs plumb. See fig.5

FIG.6



Screw guides down centrally in opening using No.6 x 16 (5/8") woodscrews. See fig.6.
If guides are to be let in flush, doors will have to be removed first.



Slightly loosen the two screws in each hanger and adjust doors until they hang plumb and close squarely against the frame. Screw in centre screw to prevent further movement. See fig.7

FIG.7

Screw door stop to inside of front door at mid-height with No.8 x 3/4" woodscrews. See fig.8.

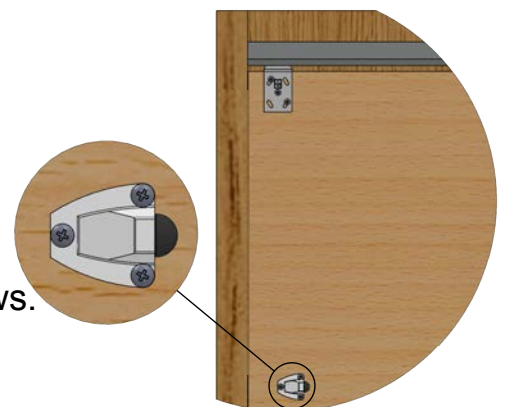
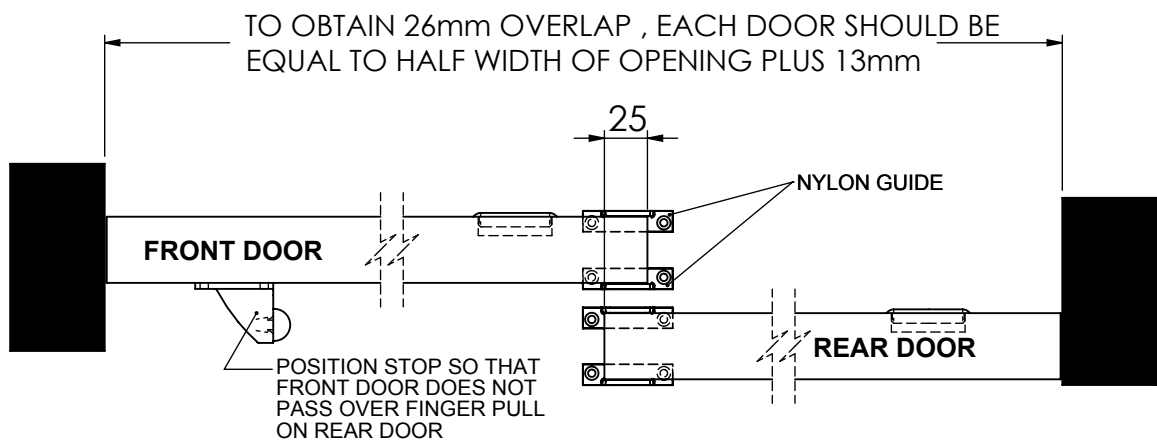


FIG.8

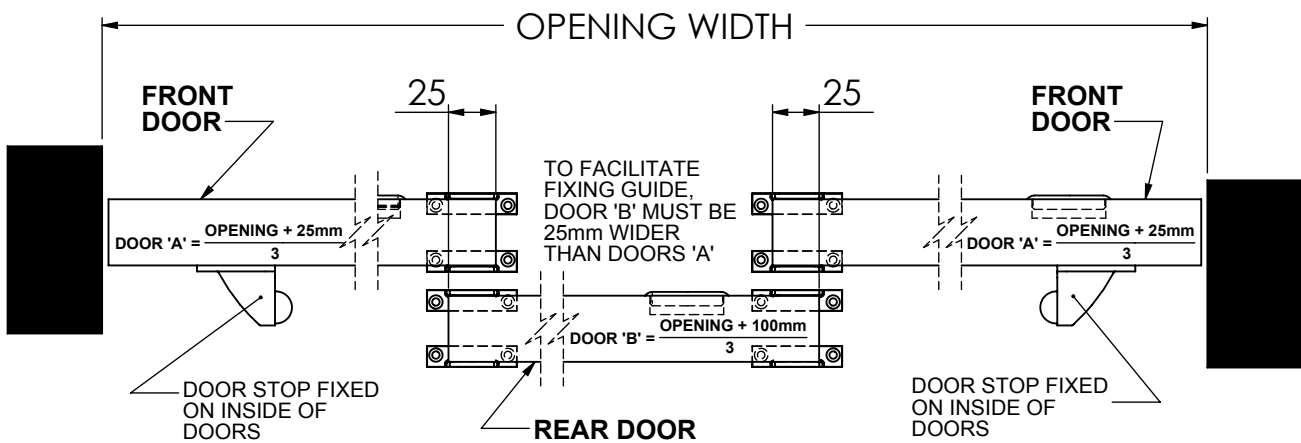
Flush pulls are fitted outside at two-thirds high.

Wipe inside of tracks with an oily rag from time to time to aid free movement.

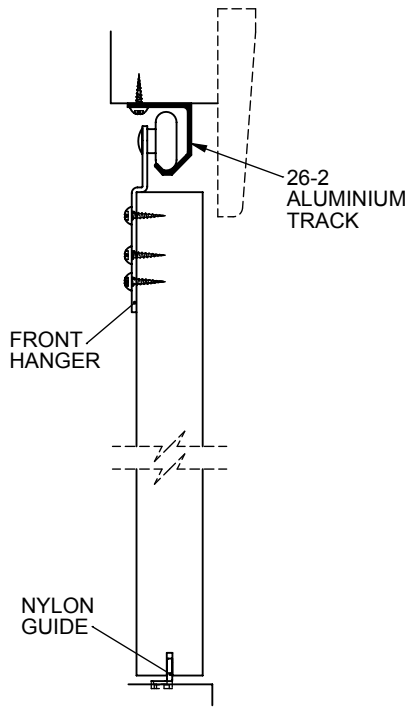
TWO DOOR SETUP



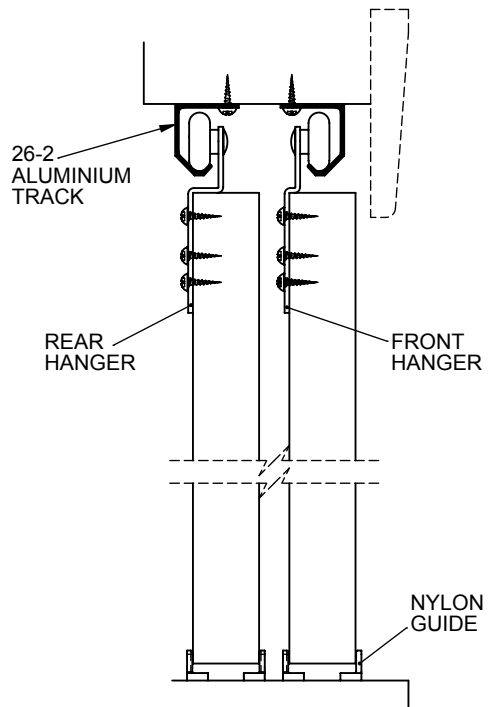
THREE DOOR SETUP



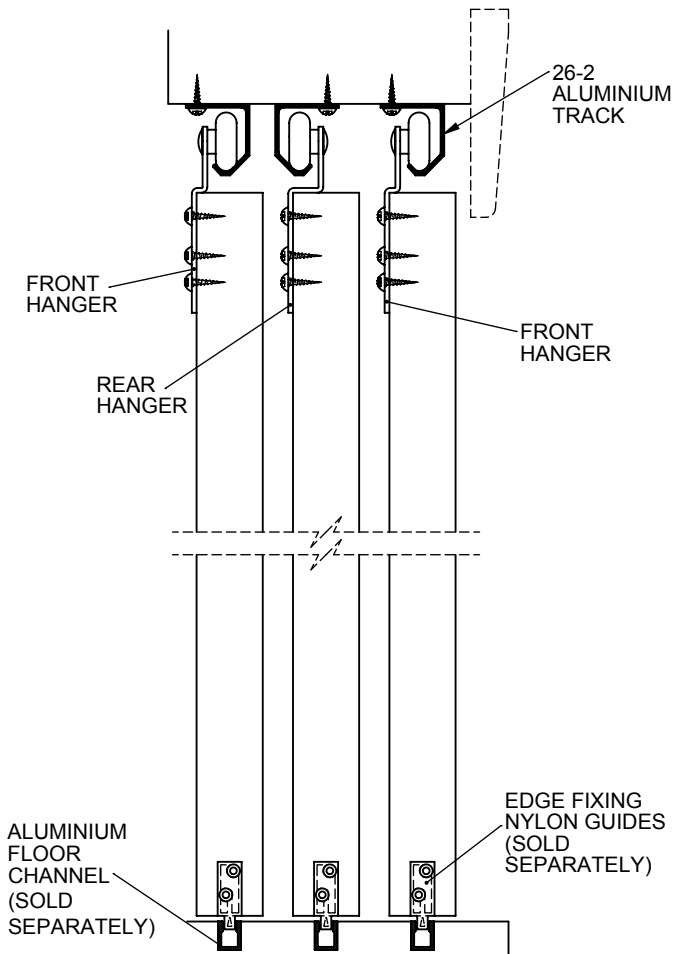
SECTION VIEW OF THE TWIN 100 SETUP



SINGLE TRACK SECTION



DOUBLE TRACK SECTION



TRIPLE TRACK SECTION

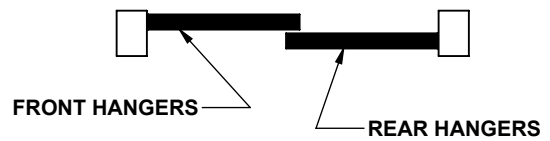
SINGLE DOOR & TRACK



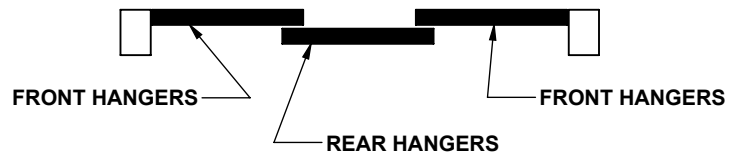
DOUBLE DOORS & SINGLE TRACK



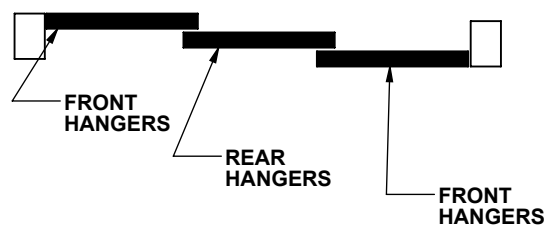
DOUBLE DOORS & DOUBLE TRACKS



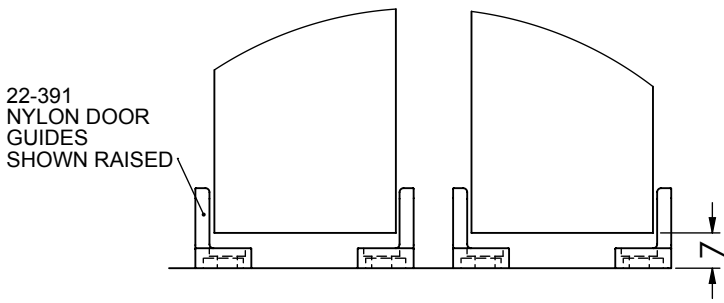
TRIPLE DOORS & DOUBLE TRACKS



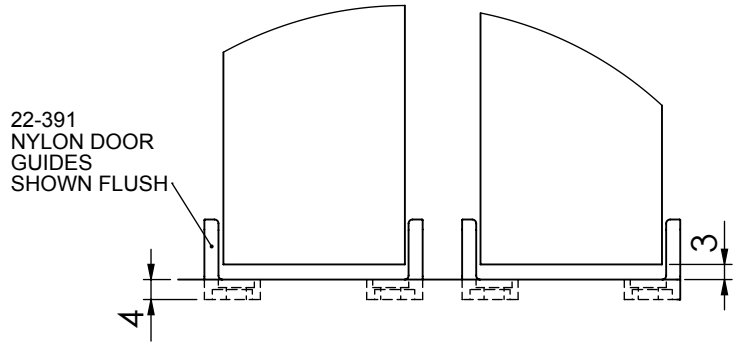
TRIPLE DOORS & TRIPLE TRACKS



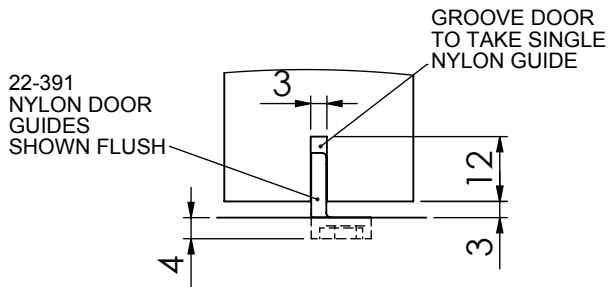
BOTTOM GUIDE SETUP



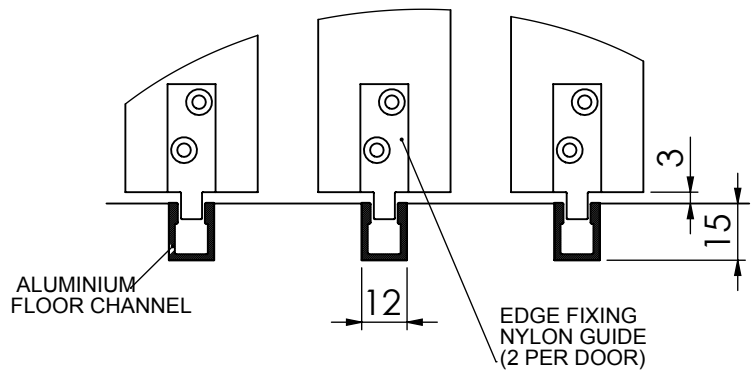
GUIDE SURFACE FIXED



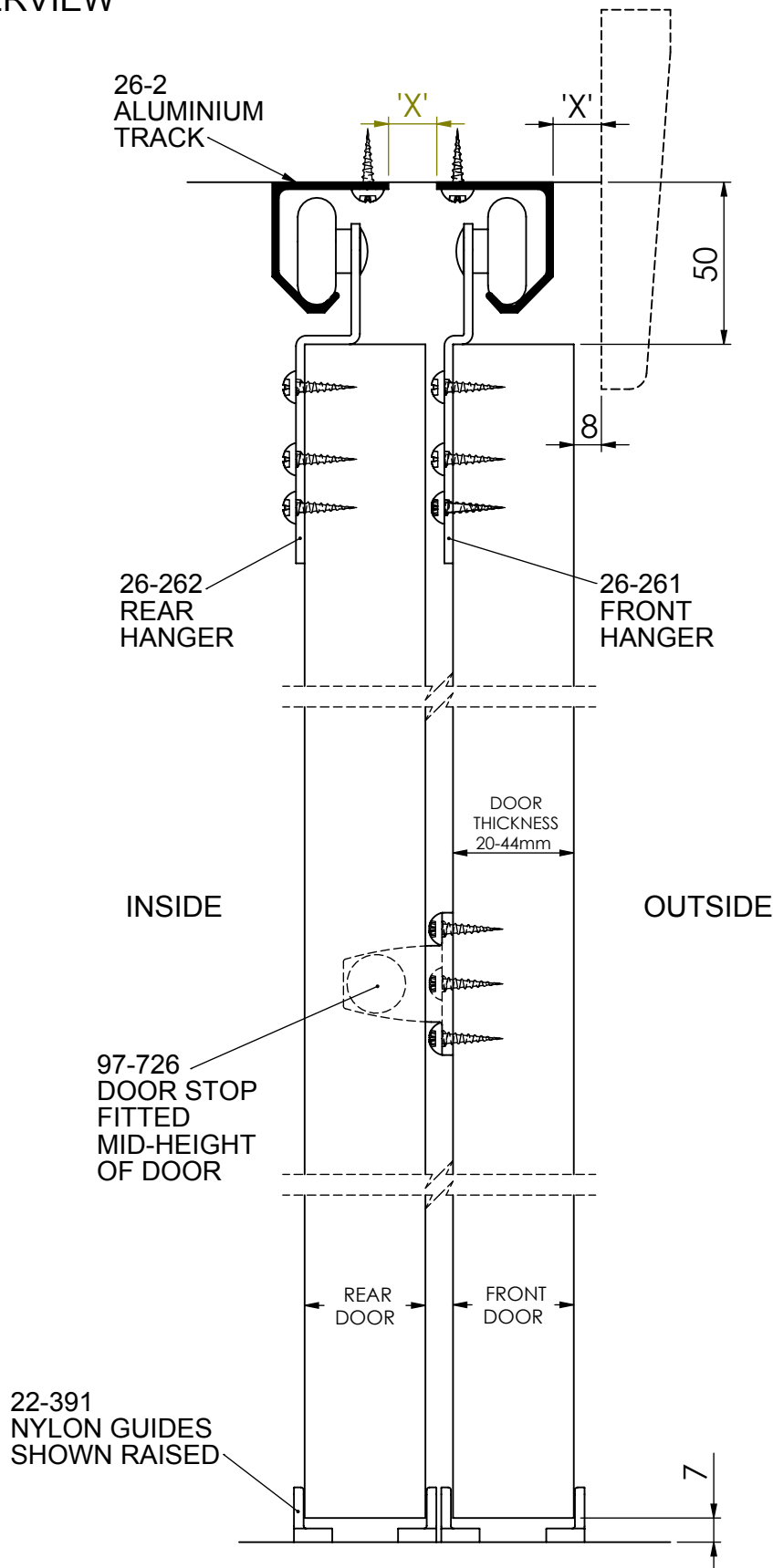
GUIDE REBATED INTO THE FLOOR



EDGE FIXING NYLON GUIDES AND FLOOR CHANNELS FOR OPTIONAL BOTTOM GUIDING , NOT INCLUDED IN THE KIT.



OVERVIEW



DOOR THICKNESS	DIMENSION 'X'
20mm	2mm
22mm	4mm
25mm	7mm
30mm	12mm
32mm	14mm
35mm	17mm
40mm	22mm
44mm	26mm