

Craftsman Casement Fastener Locking

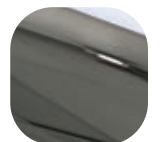


Features

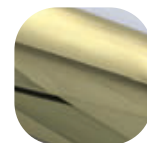
- **Solid die cast Zinc construction**
Heavyweight handle with sturdy feel
- **Classic design with a contemporary twist**
Create an elegant and stylish window
- **Matching casement stay available**
Perfectly matching hardware for every application
- **Supplied with colour matching screws**
Perfectly matching hardware, even down to the smallest details
- **Key clicks into place when inserted**
Won't fall out of the lock, even when pivoting the lever



Hardex
Chrome



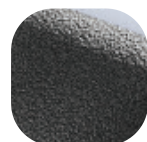
Hardex
Bronze



Hardex
Gold



White



Antique
Black



Black

Craftsman Casement Fastener Locking

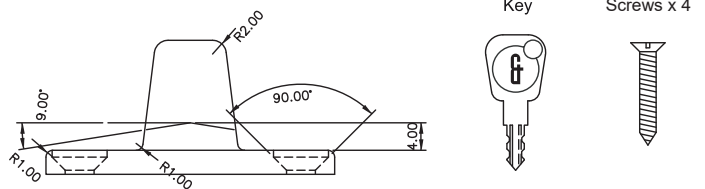
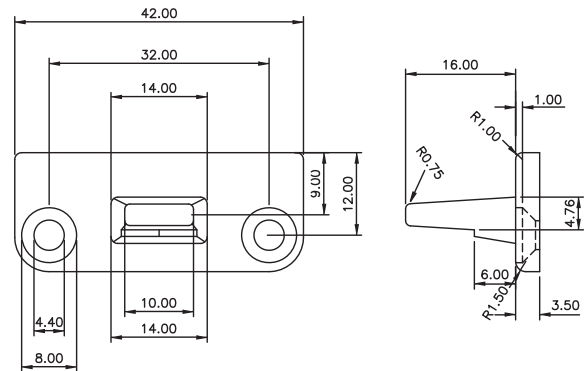
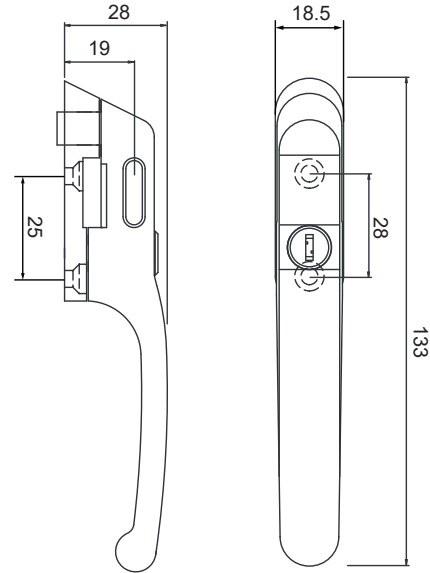
Ordering Details	
Product	
Craftsman Casement Fastener Locking	
Finish	Part No.
Hardex Chrome	OJ001
Hardex Bronze	OJ003
Hardex Gold	OJ005
Antique Black	OJ006
White	OJ000
Black	8A046

For additional part numbers please contact our sales office.

Technical Information	
Corrosion resistance	Meets the requirements of BS EN 1670:2007 Grade 5 (480 hours)
Operation	Endurance tested in excess of 50,000 cycles
Performance	Tested to meet the requirements of PAS 24 as part of a compliant window
Material Specification	
Handle Grip and Backplate:	High quality Zinc for all finishes
Coatings:	Hardex Chrome, Bronze, Gold, Antique Black, White and Black.

Maintenance	
For continued protection of the quality finish and appearance, Fab&Fix advise routine cleaning of all our external hardware. Moving parts should also be lightly lubricated at least twice a year. This procedure is particularly essential if products are used within a 25-mile radius of coastal areas or close proximity to building sites or large industrial areas, where more frequent cleaning may be required to prevent the accumulation of corrosive contaminants.	

Packaging	
Handles	Individually bagged with screws and care instructions. 40 handles in an outer box.



All dimensions are in mm and are nominal.
Fab&Fix reserves the right to change specification without notice.
It is the responsibility of the window manufacturer to ensure that the finished product meets any required safety and performance specification.