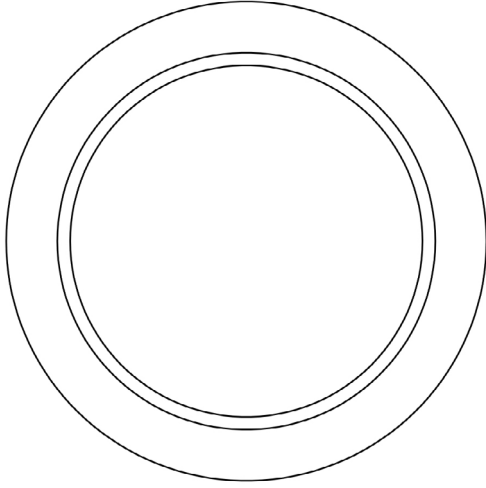


## BURLINGTON RANGE



## TECHNICAL SPECIFICATION

### CODE

BUR215

### DESCRIPTION

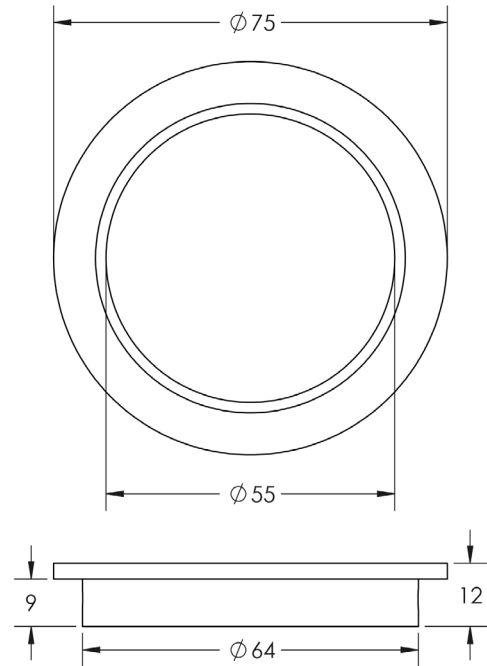
Circular Flush Pull

### STANDARDS

## PRODUCT SPECIFICATION

- Matt lacquered solid brass

## TECHNICAL DRAWING



## FINISHES

- Antique Brass
- Dark Bronze
- Polished Nickel
- Satin Brass
- Satin Nickel