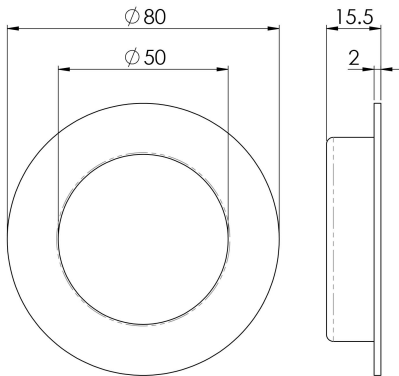


Steelworx Large Circular Flush Pull

FPH1003



78mm Dia. circular shaped low profile flush pull which is used mainly on sliding doors. The main cup is recessed back into the door to leave a flush appearance. For use on doors, wardrobes or cupboards.

