

Espagnolette Bar



Features

- Designed to be quick to install and a low cost hardware solution for all types of casement windows
- Face fixed locking bar with mushroom cams for excellent weathering performance
- Robust and durable design
- Adjustable mushroom headed cams
- In-line gearbox available in 20mm and 22mm backset options
- Wide range of bar lengths for sash rebates 175mm – 1425mm
- High quality mild steel in accordance to BS 1449 Part 1
- Smooth and positive locking
- Wide range profile related keeps
- 10 year performance guarantee



Espagnolette Bar

Ordering Details

Bar	Backset	Cam Height	A	B	C	Sash Rebate (mm)	No. of Cams
0			150mm	-	-	175-285	1
1			250mm	140mm	-	285-425	2
2			400mm	280mm	-	425-625	2
3	20mm Or 22mm	8mm	600mm	480mm	-	625-825	2
4			800mm	680mm	-	825-1025	2
5			1000mm	880mm	140.5mm	1025-1225	3
6			1200mm	1080mm	140.5mm	1225-1425	3

Bar	Bar Length	Sash Rebate (mm)	Part Code 20mm Backset	Part Code 22mm Backset
0	150mm	175-285	-	WLESRT2280150
1	250mm	285-425	WLESRT2080250	WLESRT2280250
2	400mm	425-625	WLESRT2080400	WLESRT2280400
3	600mm	625-825	WLESRT2080600	WLESRT2280600
4	800mm	825-1025	WLESRT2080800	WLESRT2280800
5	1000mm	1025-1225	WLESRT2081000	WLESRT2281000
6	1200mm	1225-1425	WLESRT2081200	WLESRT2281200

Profile

Profile	Part Code
Duraflex Diamond (65mm)	WWKRG18911
Liniar (70mm)	WWKRG18920
Timber	WWKRG18841A

Technical Information

Corrosion resistance

Meets the requirements of BS EN 1670:2007 Grade 4 (240 hours)

Operation

Tested in excess of 25,000

Material Specification

Bar:	High quality steel, Zinc plated, Trivalent passivated and seal
Keeps:	High quality steel, Zinc plated, Trivalent passivated and seal or Composite

Packaging

Locks

20 locks per box

Keeps

20 keeps per box

Maintenance

All moving parts should be lightly lubricated using a light non-acidic mineral oil (e.g "3 in 1") twice per year and the surface cleaned with a soft damp cloth. The product may need to be adjusted and fixings tightened to ensure a satisfactory operation.

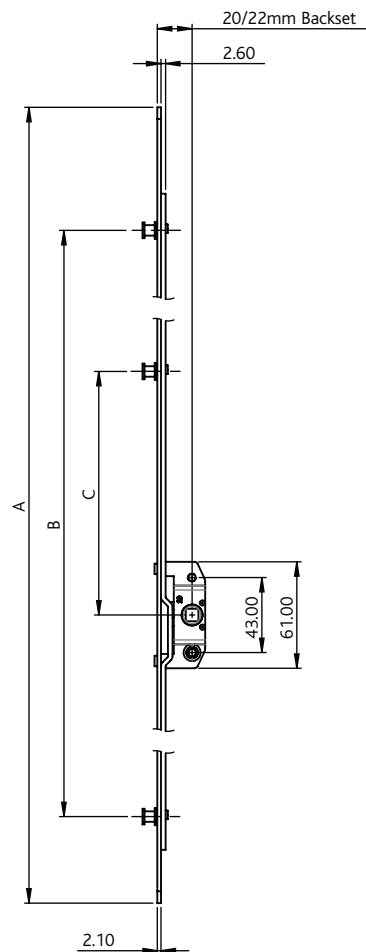


Diagram not to scale.

All dimensions are in mm and are nominal.

ERA reserves the right to change specification without notice. It is the responsibility of the window manufacturer to ensure that the finished product meets any required safety and performance specification.