

Bathroom Locks & Latches

2648 / 2650

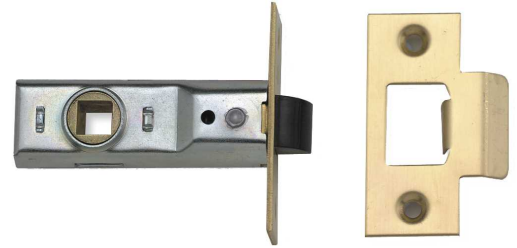
Mortice Latch



ASSA ABLOY

Application:

- For timber doors hinged on the left or right and requiring lever handle operation
- Not suitable for use with unsprung lever handles



Specification:

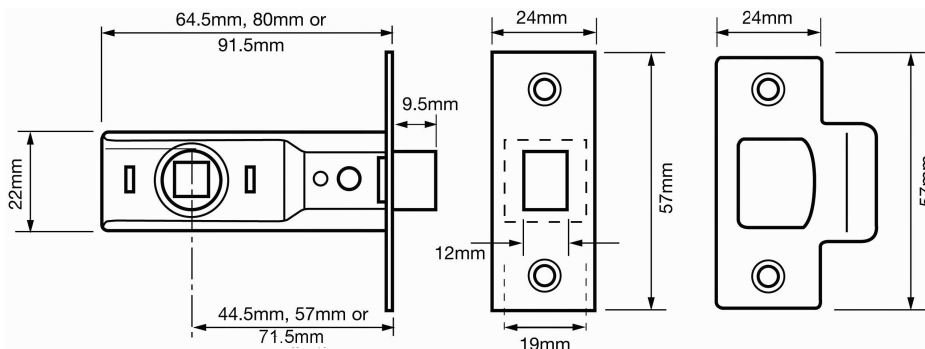
- Latch bolt withdrawn by sprung lever handle from either side
- Two way action
- 2650 - rebated mortice latch (suitable for 13mm rebate)
- Available with square forend and striking plate
- Case Size: 64.5mm (2.5"), 80mm (3") or 91.5mm (3.5"),
- Backset: 44.5mm, 57mm or 71.5mm
- Case: Steel, galvanised
- Forend: Stainless steel or brass
- Striking Plate: Finished to match forend
- Deadbolt: n/a
- Latch Bolt: Black, plastic construction
- Follower: 8mm square
- Rebate Kit: Fixed 13mm rebate on 2650
- Available in PL, EB and SE finishes



Finish:

- 2648 SE - Silver Enamel finish PL - Polished Brass finish
- 2650 EB - Electro Brass finish SE - Silver Enamel finish

Technical Design:



Bathroom Locks & Latches

2648 / 2650

Mortice Latch



ASSA ABLOY

Variants:

Code	Description
J2648-PL-2.50	TUB.LATCH, PB FINISH, 2.5"CASE,
J2648-PL-3.00	TUB.LATCH, PB FINISH, 3"CASE,
J2648-PL-3.50	TUB.LATCH, PB FINISH, 3.5" CASE,
J2648-SE-2.50	TUB.LATCH, SILVER ENAMEL FINISH, 2.5"CASE,
J2648-SE-3.00	TUB.LATCH, SILVER ENAMEL FINISH, 3"CASE,
J2648-SE-3.50	TUB.LATCH, SILVER ENAMEL FINISH, 3.5" CASE,
J2650-EB-2.50	REBATED TUB.LATCH, PB FINISH, 2.5"CASE,
J2650-EB-3.00	REBATED TUB.LATCH, PB FINISH, 3"CASE,
J2650-SE-2.50	REBATED TUB.LATCH, SILVER ENAMEL FINISH, 2.5"CASE,
J2650-SE-3.00	REBATED TUB.LATCH, SILVER ENAMEL FINISH, 3"CASE,
Y2648-PL-2.50	TUBULAR MORT LATCH - Visi
Y2648-PL-3.00	TUBULAR MORT LATCH - Visi
Y2648-SE-2.50	TUBULAR MORT LATCH - Visi
Y2648-SE-3.00	TUBULAR MORT LATCH - Visi
Y2650-EB-2.50	TUBULAR MORT LATCH - Visi
Y2650-EB-3.00	TUBULAR MORT LATCH - Visi