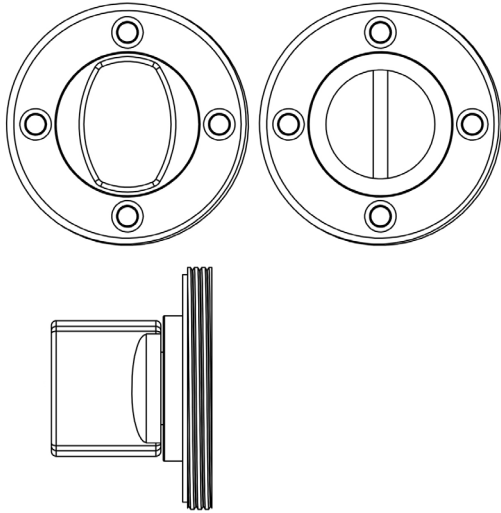


## BURLINGTON RANGE



## TECHNICAL SPECIFICATION

### CODE

BUR81

### DESCRIPTION

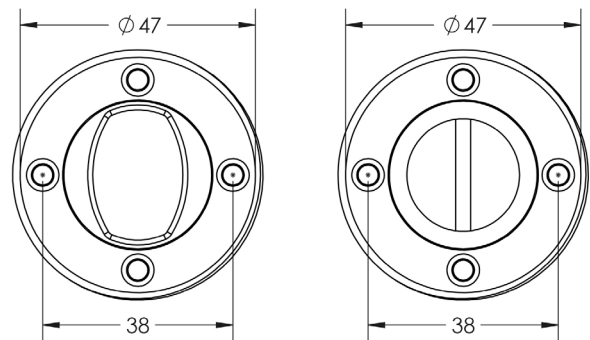
Turn & Release Inner

### STANDARDS

## PRODUCT SPECIFICATION

- Matt lacquered solid brass
- Variety of outer rose choices
- Matches lever rose choices

## TECHNICAL DRAWING



## FINISHES

-  Antique Brass
-  Dark Bronze
-  Polished Nickel
-  Satin Brass
-  Satin Nickel

