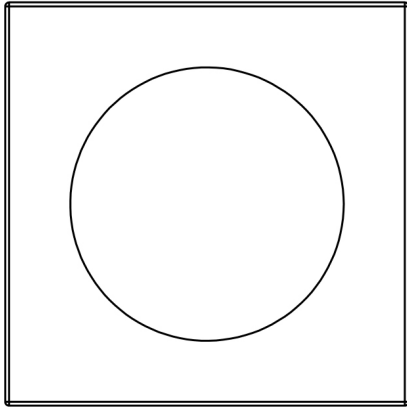


BURLINGTON RANGE



TECHNICAL SPECIFICATION

CODE

BUR171

DESCRIPTION

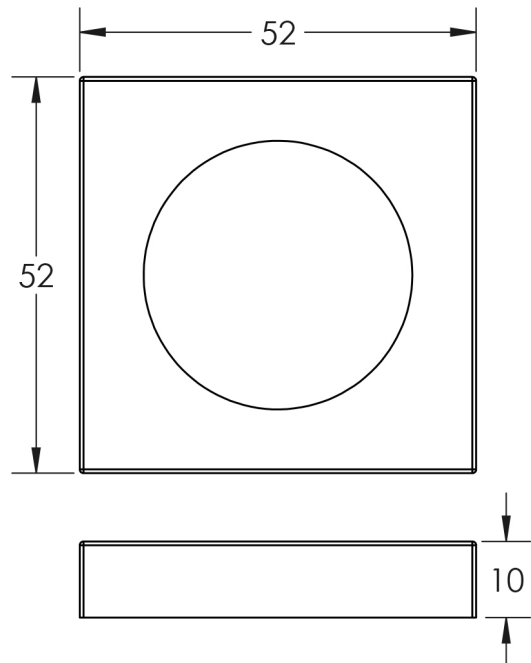
Escutcheon Outer Rose - Square Plain

STANDARDS

PRODUCT SPECIFICATION

- Matt lacquered solid brass
- Suits all Burlington Range levers
- Suits all Burlington Range turn and releases

TECHNICAL DRAWING



FINISHES

-  Antique Brass
-  Dark Bronze
-  Polished Nickel
-  Satin Brass
-  Satin Nickel