

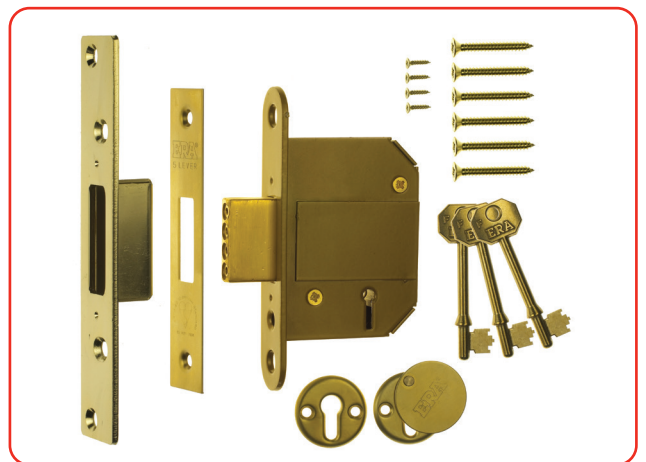
BS High Security Fortress Classic Mortice Lock



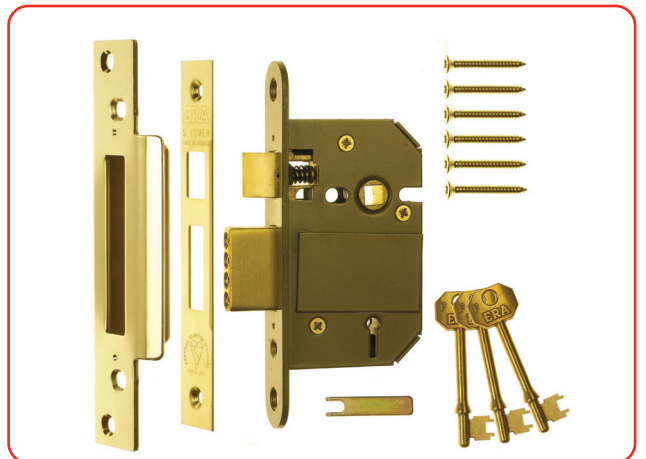
BS3621:2017

Features

- 5 lever British Standard High Security Mortice Lock to BS3621:2017 standard meeting the exacting demands of insurance companies and the Police
- Brings traditional style and craftsmanship to a modern mortice lock through its brass components
- Includes 5 solid brass levers, key cam, follower, latch bolt, deadbolt and 3 brass keys
- High security delivered by a 20mm bolt throw
- Deadlock and Sashlock have hardened steel plates to resist drilling
- Four hardened steel rollers in deadbolt to resist hacksawing
- Sashlock features a pull and twist action latch which can easily reverse the hand of the lock without removal of lock covers or screws
- 64mm (2½") and 76mm (3") backset options
- Brass, Satin or Chrome Effect finishes available
- Fortress Rebates Sets are available in 12.7mm (½") and 25.4mm (1")
- Sashlock Rebates are non-handed and come with full fitting instructions



Deadlock



Sashlock

BS High Security Fortress Classic Mortice Lock

Ordering Details

Fortress Classic 5 Lever Deadlock

Finish	Part No. Clam Pack	Part No. Boxed Version
Brass Effect 64mm (2½")	231-32	231-31
Satin 64mm (2½")	231-52	231-51
Chrome Effect 64mm (2½")	231-62	231-61
Brass Effect 76mm (3")	331-32	331-31
Satin 76mm (3")	331-52	331-51
Chrome Effect 76mm (3")	331-62	331-61

Fortress Classic 5 Lever Sashlock

Finish	Part No. Clam Pack	Part No. Boxed Version
Brass Effect 64mm (2½")	232-32	232-31
Satin 64mm (2½")	232-52	232-51
Chrome Effect 64mm (2½")	232-62	232-61
Brass Effect 76mm (3")	332-32	332-31
Satin 76mm (3")	332-52	332-51
Chrome Effect 76mm (3")	332-62	332-61 </tr

Spare Keys

Finish	Part No.
Cut Key	502-56
Key Blank	602-56

Deadlock Rebate Sets

Finish	Part No.
Brass Effect 12.7mm (½") Rebate	426-31
Satin 12.7mm (½") Rebate	426-51
Chrome Effect 12.7mm (½") Rebate	426-61
Brass Effect 25.4mm (1") Rebate	427-31
Satin 25.4mm (1") Rebate	427-51
Chrome Effect 25.4mm (1") Rebate	427-61

Sashlock Rebate Sets

Finish	Part No.
Brass Effect 12.7mm (½") Rebate	428-31
Satin 12.7mm (½") Rebate	428-51
Chrome Effect 12.7mm (½") Rebate	428-61
Brass Effect 25.4mm (1") Rebate	429-31
Satin 25.4mm (1") Rebate	429-51
Chrome Effect 25.4mm (1") Rebate	429-61

Important: When a rebate set is fitted with a British Standard mortice lock, the Kitemark insurance accreditation will become void, meaning that the product will no longer be covered by an insurance policy if declared.

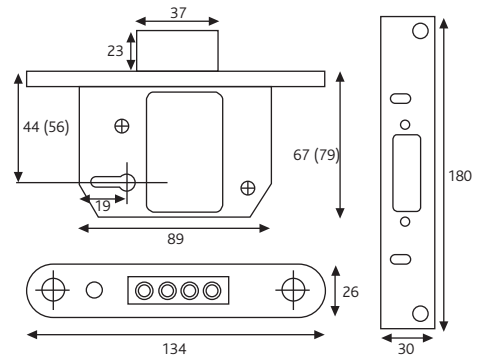
Locksmith Kit

503103-00

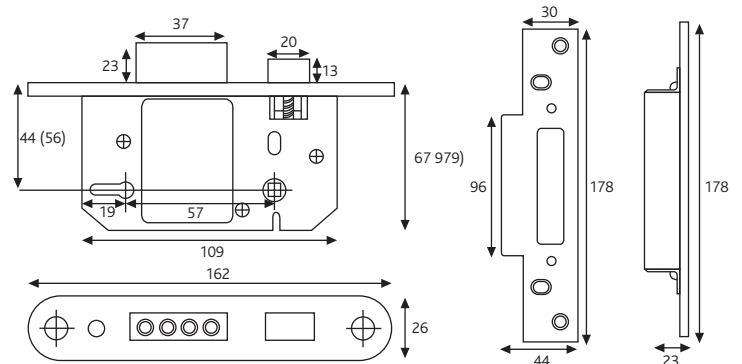
Maintenance

Wipe the surface periodically with a soft cloth to remove excess grease or moisture.

Deadlock



Sashlock



All dimensions are in mm and are nominal. Numbers in brackets relate to 3" version of lock. Diagram illustrates product in locked position. ERA reserves the right to change specification without notice. It is the responsibility of the door manufacturer to ensure that the finished product meets any required safety and performance specification.

Packaging

Boxed version

1 lock per inner box, 10 locks per outer box

Clam version

1 lock per clam, 5 clams per outer box

Classification Codes

Deadlock

1121 - AGS055
BS EN 12209:2003
3H510F7KD0B

Sashlock

1121 - AG5056
BS EN12209:2003
3H510F7KD2B