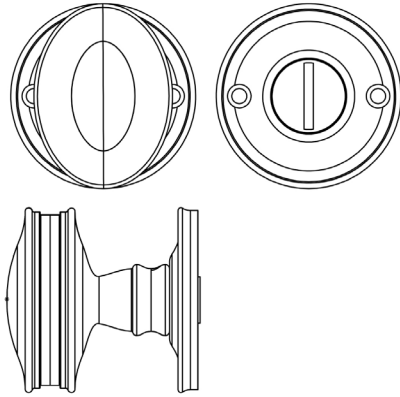


BURLINGTON RANGE



TECHNICAL SPECIFICATION

CODE

BUR120

DESCRIPTION

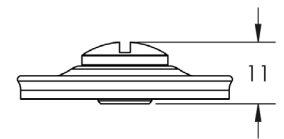
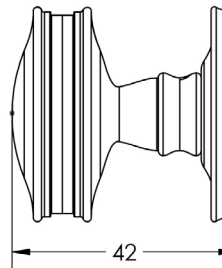
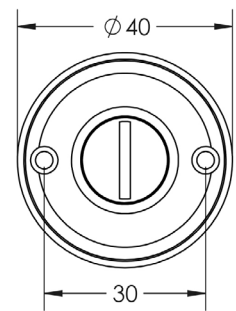
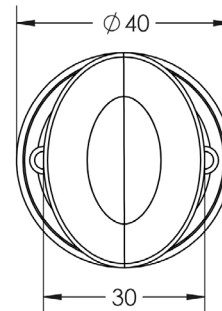
Berkeley & Bloomsbury turn & release

STANDARDS

PRODUCT SPECIFICATION

- Matt lacquered solid brass
- Matches mortice knob choices

TECHNICAL DRAWING



FINISHES

-  Antique Brass
-  Dark Bronze
-  Polished Nickel
-  Satin Brass
-  Satin Nickel