



Kirk Sandall Industrial Estate, Doncaster, South
Yorkshire, DN3 1QR

+44 (0)1302 310 113
enquiries@prosolveproducts.com
www. prosolveproducts.com

ProSolve is trademark of S.T.L Trading Company
Limited
Reg in England No: 5230722
VAT Reg No: 381 3533 58

DATASHEET

ProSolve Twinslot (white)

ProSolve Codes:

Uprights: DU170BC, DU430BC, DU710BC, DU1000BC, DU1220BC,
DU1600BC, DU1980BC, DU2400BC

Brackets: SDB120BC, SDB170BC, SDB220BC, SDB270BC, SDB320BC,
SDB370BC, SDB420BC, SDB470BC, SDB570BC, SDB610BC



The ProSolve Twinslot 'Shelf-Lok' system combines adjustability with strength and versatility. The system comprises a wall fixed twinslot steel upright to take a range of steel 'U' brackets for supporting various types of shelves. Medium and heavy-duty brackets are also available for supporting heavier loads. The components are fabricated from 1.5mm thick steel and finished in Dupont Alesta AM™ anti—microbial powder coating. White, brown, black, chrome, silver and stainless steel finishes are available.

ProSolve Twinslot Terminology

Twinslot – wall mounted shelving that are fitted vertically, they have a series of twin slots and fixing holes in the front that allow for the 'uprights' to be attached to the wall then accept a range of accessories for the purpose of display or storage.

Shelf-Lok – a unique locking system that allows the bracket to become automatically locked into the upright when installed correctly, this locking system stops the bracket from been accidentally knocked out of the twinslots.

Upright pitch – the distance between the top of one twinslot and the next one.

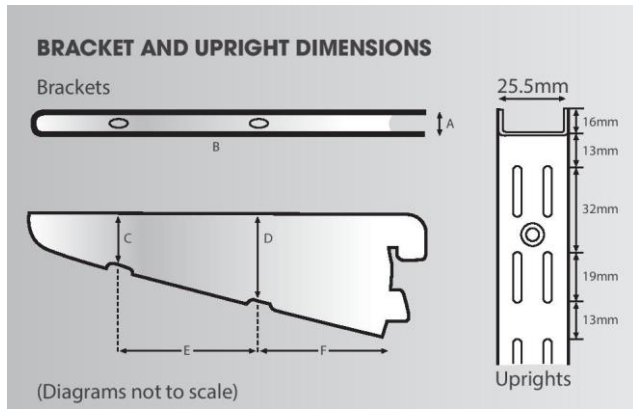
Dupont Alesta AM™ - a patented powder coating, treated with silver ion or silver zeolite technology that is known to inhibit the growth of microbes on powder coated steel.

ProSolve Twinslot Uprights Fixing Details

FIXING DETAILS FOR ALL TWIN SLOT UPRIGHTS



ProSolve Twinslot Brackets Fixing Details



| STANDARD BRACKETS | Code | A | B | C | D | E | F |
|--------------------------|-------------|----------|----------|----------|----------|----------|----------|
| Actual dimensions in mm | SBD120BC | 12.5 | 110 | 18 | 39 | 60 | 32 |
| | SBD170BC | 12.5 | 165 | 18 | 39 | 97 | 46 |
| | SBD220BC | 12.5 | 215 | 18 | 39 | 131 | 61 |
| | SBD270BC | 12.5 | 268 | 18 | 39 | 167 | 76 |
| | SBD320BC | 12.5 | 317 | 18 | 39 | 203 | 92 |
| | SBD370BC | 12.5 | 366 | 18 | 39 | 227 | 117 |
| | SBD420BC | 12.5 | 420 | 18 | 39 | 330 | 280 |
| | SBD470BC | 12.5 | 470 | 18 | 39 | 160 | 298 |
| | SBD570BC | 12.5 | 570 | 18 | 39 | 168 | 372 |
| | SBD610BC | 12.5 | 608 | 18 | 39 | 218 | 378 |

| MEDIUM DUTY BRACKETS | Code | A | B | C | D | E | F |
|-----------------------------|-------------|----------|----------|----------|----------|----------|----------|
| Actual dimensions in mm | DMDB370BC | 13.5 | 370 | 18 | 39 | 122 | 234 |
| | | | | | | | |

| HEAVY DUTY BRACKETS | Code | A | B | C | D | E | F |
|----------------------------|-------------|----------|----------|----------|----------|----------|----------|
| Actual dimensions in mm | DHB370 | 13.5 | 370 | 18 | 39 | 122 | 234 |
| | DHB470 | 13.5 | 470 | 18 | 39 | 160 | 298 |
| | DHB610 | 13.5 | 610 | 18 | 39 | 218 | 378 |
| | | | | | | | |

ProSolve Twinslot Upright Fixing Details

We recommend that 3" No.10 screws are used with the relevant wall plugs. We also recommend that individuals should consult a suitably qualified person to ensure that the uprights are installed correctly.

Fixing Pack Code: UFP

Recommended centres for uprights is 500-600mm.

A shelf overhand of approximately 150mm should be left at each end. The type and thickness of shelf material and the application must be considered before fixing the system.

Before drilling, hammering or putting a screw into a wall, be sure you've checked what's behind it with a pipe, cable and stud detector (also known as a multi-purpose digital detector). They're simple to use and will let you

know if there are any pipes, cables or studs where you're planning to work. Simply run it over the surface of the area and it will tell you where hazards lie.

On masonry walls – walls made from bricks and mortar - you'll need a hammer-action drill with a masonry bit. You'll also need at least 50 mm screws and wall plugs to go through the plaster and into the wall behind.

For stud partition walls, the screws need to go directly into the timber noggins (horizontal) or studs (vertical part of the frame). You can find them by just tapping and listening, or by using an electric stud detector.

For heavy loads we'd recommend 38 mm or 50 mm screws as these have a strong fixing and don't need wall plugs. The screws should be the heaviest gauge that the holes in the bracket will take. This is usually a 4 mm gauge on small brackets and 5 mm or 5.5 mm on larger ones.

ProSolve Twinslot Brackets – Recommended Weight Loadings

| Code | Description | Recommended Weight Loadings |
|----------|-------------------------------|-----------------------------|
| SBD120BC | 120mm Twin Slot Shelf Bracket | 151kg |
| SBD170BC | 170mm Twin Slot Shelf Bracket | 108kg |
| SBD220BC | 220mm Twin Slot Shelf Bracket | 84kg |
| SBD270BC | 270mm Twin Slot Shelf Bracket | 69kg |
| SBD320BC | 320mm Twin Slot Shelf Bracket | 60kg |
| SBD370BC | 370mm Twin Slot Shelf Bracket | 57kg |
| SBD420BC | 420mm Twin Slot Shelf Bracket | 68kg |
| SBD470BC | 470mm Twin Slot Shelf Bracket | 80kg |
| SBD570BC | 570mm Twin Slot Shelf Bracket | 77kg |
| SBD610BC | 610mm Twin Slot Shelf Bracket | 74kg |

| Code | Description | Recommended Weight Loadings |
|-----------|---|-----------------------------|
| DMDB370BC | 370mm Medium Duty Twin Slot Shelf Bracket | 76kg |

| Code | Description | Recommended Weight Loadings |
|--------|--|-----------------------------|
| DHB370 | 370mm Heavy Duty Twin Slot Shelf Bracket | 114kg |
| DHB470 | 470mm Heavy Duty Twin Slot Shelf Bracket | 103kg |
| DHB610 | 610mm Heavy Duty Twin Slot Shelf Bracket | 97kg |

Note: To calculate the weight loading in Newtons, multiply the kg load by a factor of 9.81

ProSolve Twinslot Brackets – Steel Grade

ProSolve Stainless Shelf Brackets and Upright Stainless Steel Grade 202

ProSolve Twinslot Brackets – Steel Thickness

ProSolve Stainless Shelf Brackets and Uprights are fabricated from 1.5mm thick steel.

SHELVING CARE ADVICE

The ProSolve Twinslot system already has an antibacterial coating which is specifically designed to ensure that bacteria cannot reside on the surface, the system should just need a wipe with a damp cloth when required. Do not use any strong detergents or abrasive cleaners.