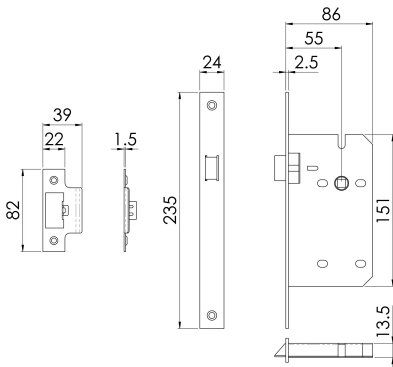
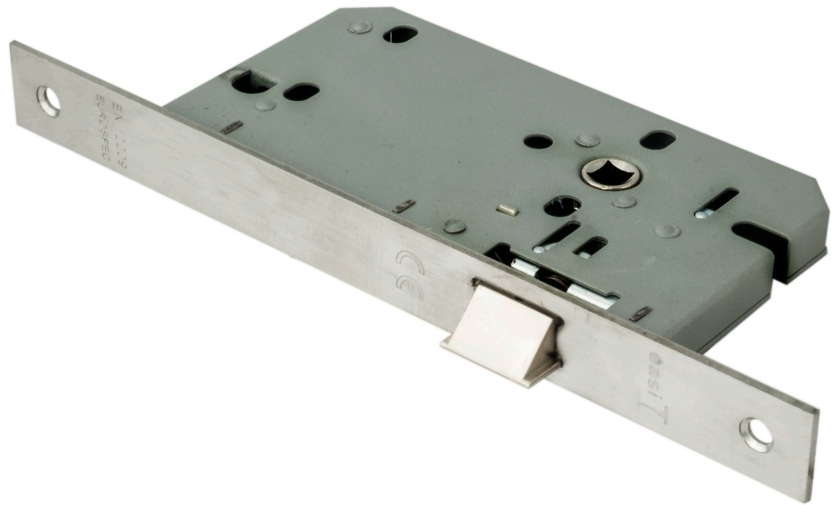


## Easi-T Contract Din Latch

DLE0055L



Contract Din Latch, 55mm. Square or Radius option. The Latch bolt has the Easi-T reverse function to save undoing the case so it can be reversed in seconds. Certified to BS EN 12209.

