

INSTALLATION INSTRUCTIONS

DOUBLE 60

MAXIMUM WEIGHT OF DOOR 27kg (60lb)
MAXIMUM DOOR HEIGHT 2m (6ft 6ins)
MAXIMUM DOOR WIDTH 1m (3ft 3ft)



COMPONENTS:

- 25-2 ALUMINIUM TRACK
- 23-261 HANGERS
- 22-391 GUIDES
- 97-728 DOOR STOP
- No.6 x 20(3/4") WOODSCREWS FOR TRACK
- No.6 x 16 (5/8") WOODSCREWS FOR HANGERS AND OTHERS

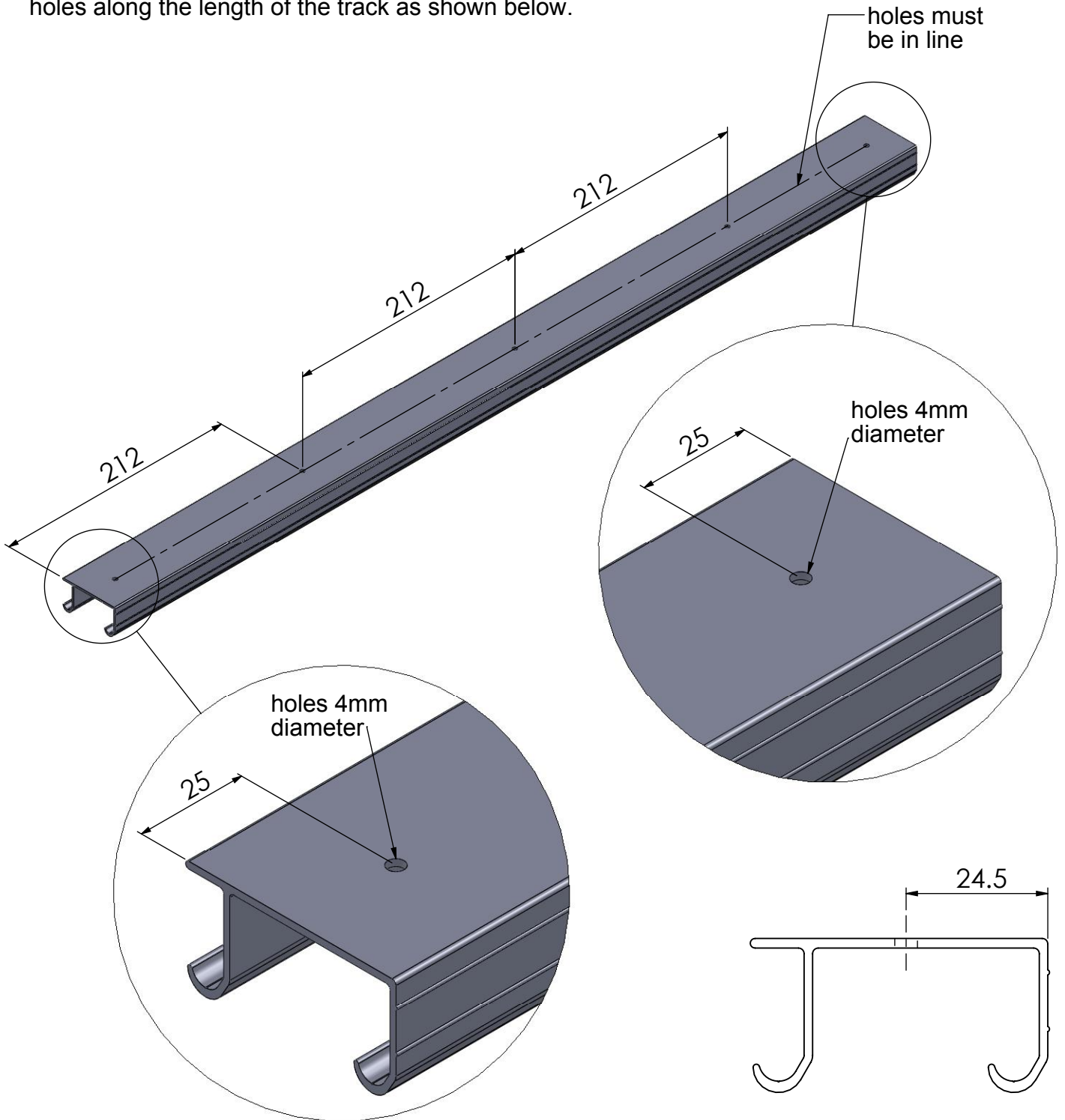
TRACK HOLE PITCH CENTRES

Cut track to length.

Drill a 4mm hole 25mm from the end of the track by 24.5mm from the side, repeat this for the other end as shown.

Drill another 4mm hole 212mm from the end of the track by 24.5mm from the side.

Drill similar size holes at 212mm intervals in line with the other holes along the length of the track as shown below.



The number of holes will depend on the length of the track.

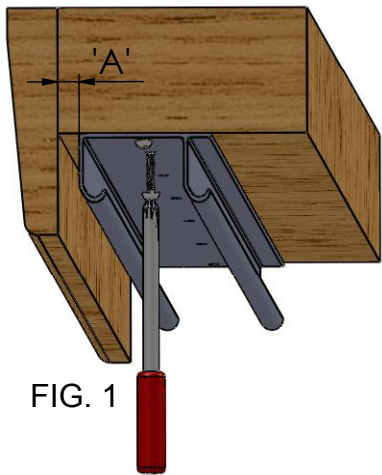


FIG. 1

Cut track to required length and fix with No.6 x 20(3/4") woodscrews to soffit/support allowing gaps (Dim. 'A') as shown in fig. 1

Secure hangers to inside top edge of doors close to each side and top of door in line with points of curved sides. Use No.6 x 16 (5/8") woodscrews positioned at top of two slots, omitting centre screws at this stage. See fig.2

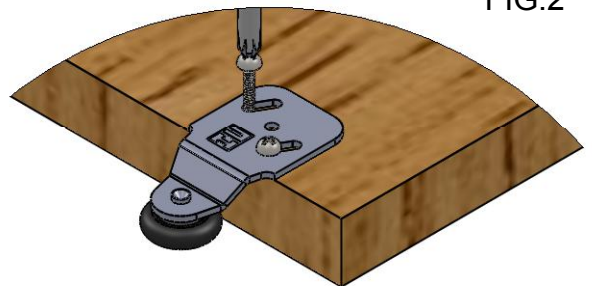


FIG.2

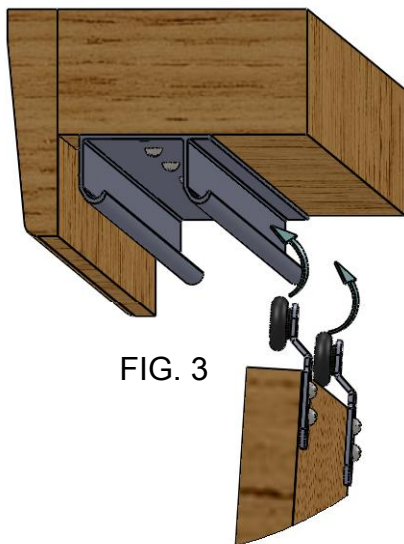


FIG. 3

Holding the door at an angle, hook the inside door onto the track . See fig.3. Avoid the use of force as hangers may be damaged and the smooth running action impaired.

Hook the outer doors onto the track/tracks in the same way avoiding the use of force See fig.4

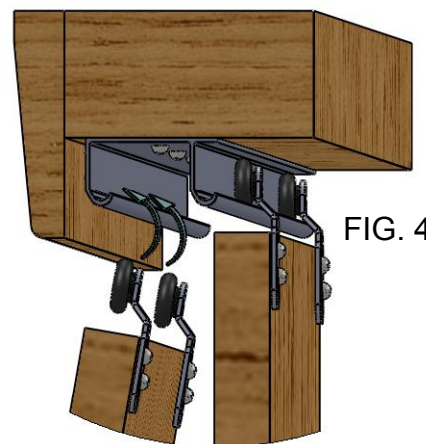
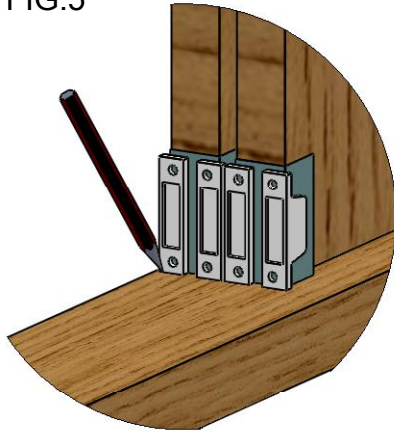


FIG. 4

DOOR THICKNESS (mm)	DIM. A (mm)
44	29
42	27
40	25
38	23
36	21

FIG.5



To obtain clearance for guiding, wrap thin cardboard (0.5 - 1.0mm thick) around the edge of each door in turn and mark position of guides when door hangs plumb. See fig.5

Screw guides down centrally in opening using No.6 x 16 (5/8") woodscrews. See fig.6.
If guides are to be let in flush, doors will have to be removed first.

FIG.6

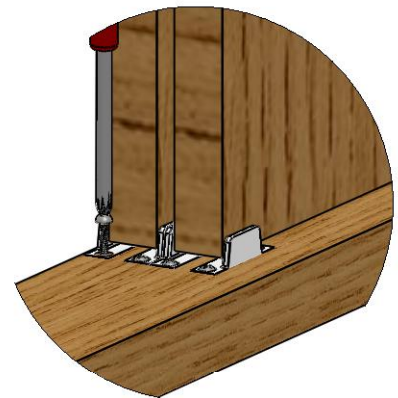
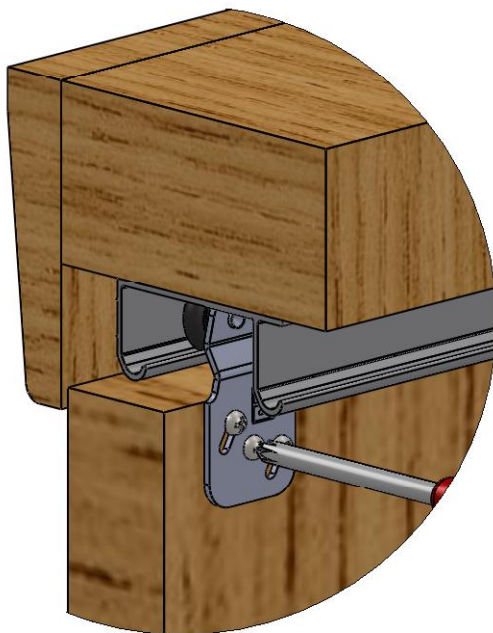


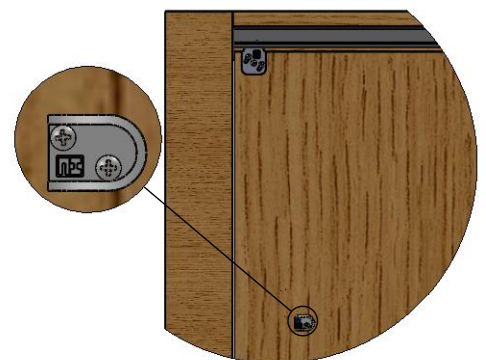
FIG.7



Slightly loosen the two screws in each hanger and adjust doors until they hang plumb and close squarely against the frame. Screw in centre screw to prevent further movement. See fig.7

Screw door stop to inside of front door at mid-height with No.6 x 16(5/8") woodscrews. See fig.8.

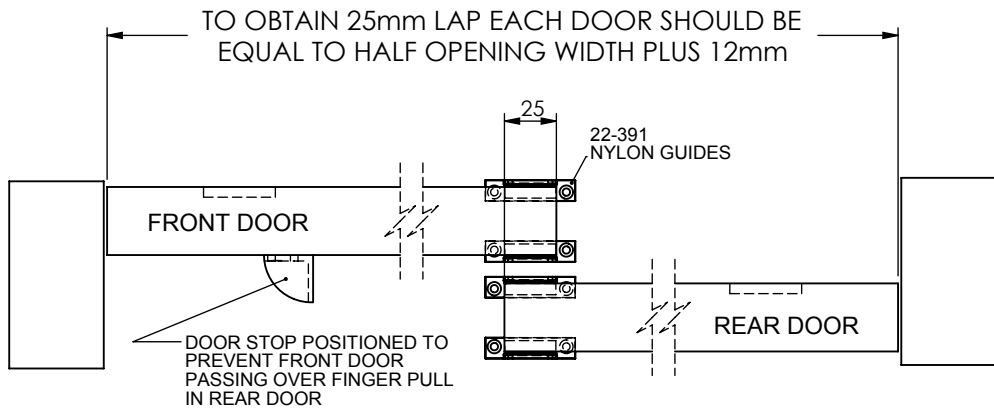
FIG.8



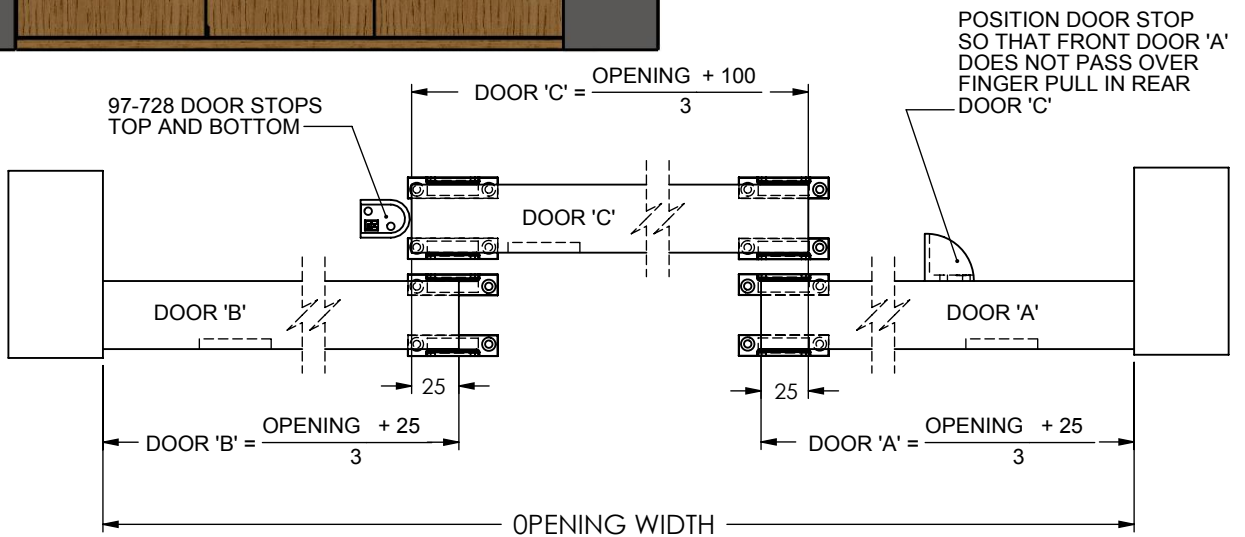
Flush pulls are fitted outside at two-thirds high.

Wipe inside of tracks with an oily rag from time to time to aid free movement.

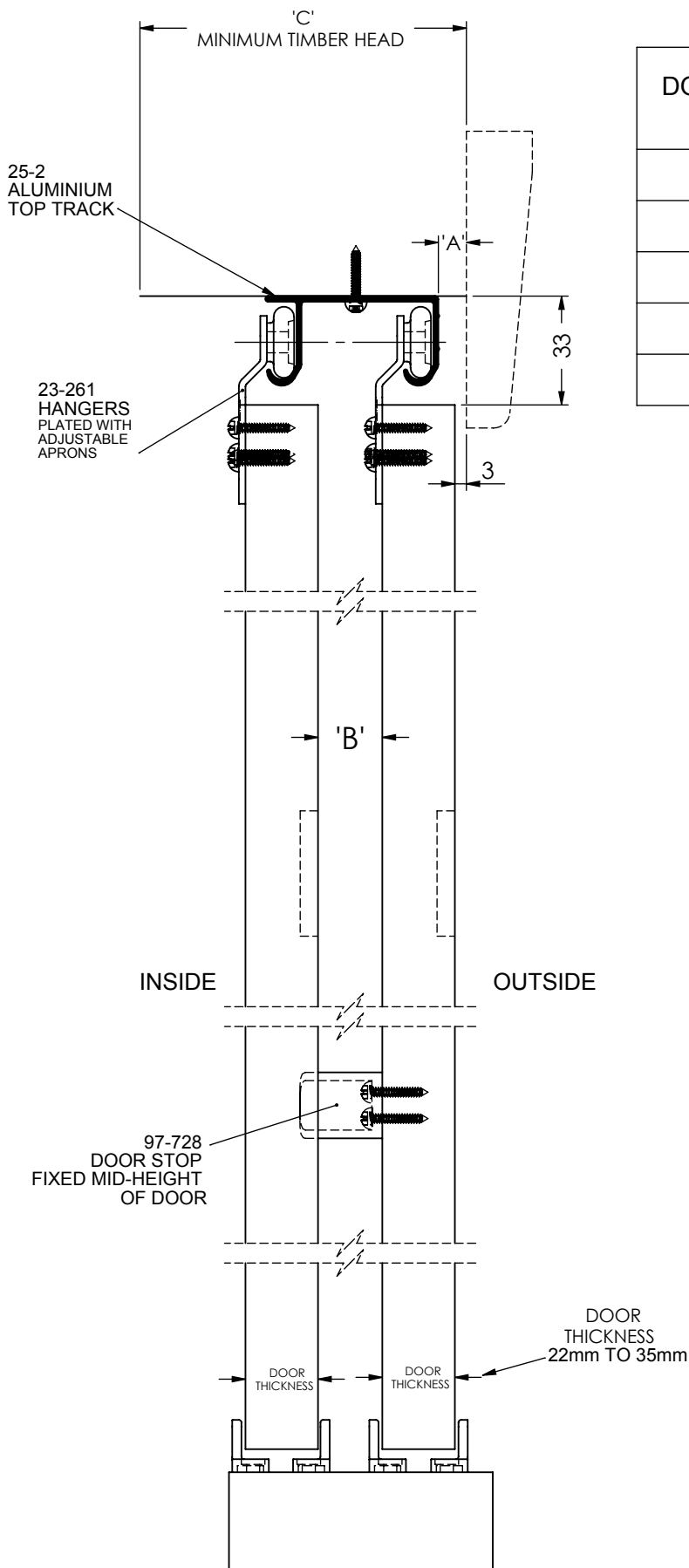
TWO DOOR SETUP



THREE DOOR SETUP

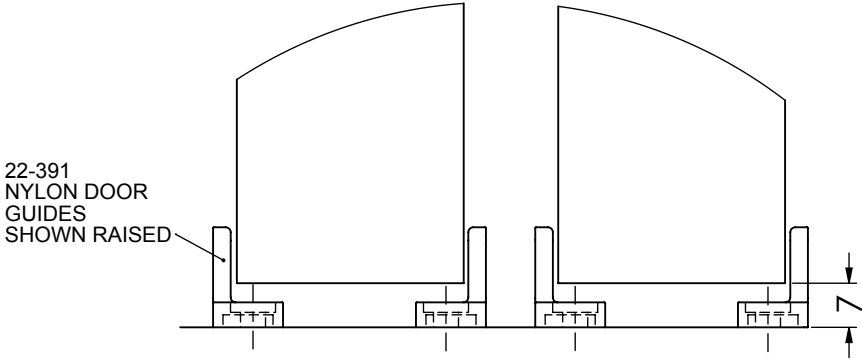


SECTION VIEW OF THE DOUBLE 60 SETUP

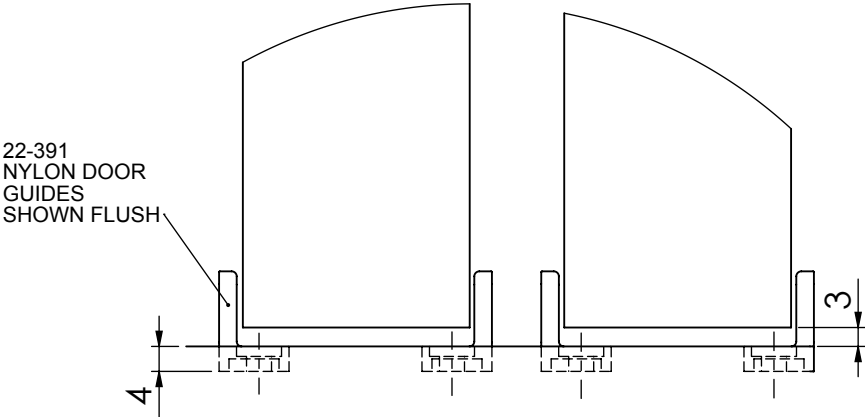


DOOR THICKNESS (mm)	DIM. A (mm)	DIM. B (mm)	DIM. C (mm)
35	22.5	6.5	76
32	19.5	9.5	73
28	14.5	13.5	68
25	11.5	16.5	65
22	8.5	19.5	62

BOTTOM GUIDE SETUP



GUIDE SURFACE FIXED



GUIDE REBATED INTO THE FLOOR

© COBURN SLIDING SYSTEMS LTD
UNIT 1, CARDINAL WEST, CARDINAL WAY, GODMANCHESTER, PE29 2XN, UK
TEL: +44 (0)20 8545 6680 FAX: +44 (0)20 8545 6720
e-mail: sales@coburn.co.uk www.coburn.co.uk