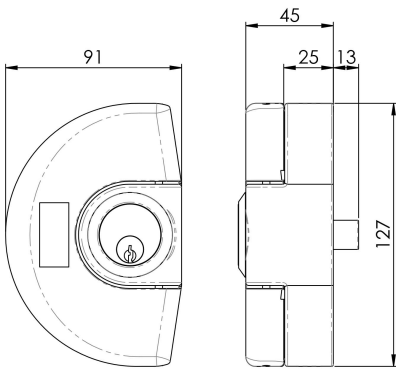


External Locking Attachment

XIA5003



External Locking Attachment for use with panic exit devices. Fire door rated and comes with a 10 year mechanical guarantee. Suitable for domestic and commercial use. Available in different finishes.

