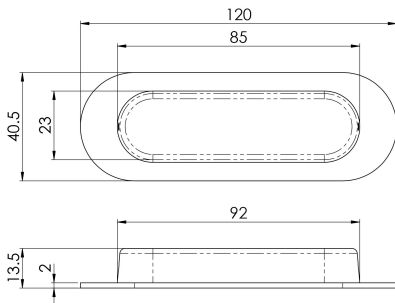


Steelworx Radius Flush Pulls

FPH1001



120mm x 40mm A radius shaped low profile flush pull which is used mainly on sliding doors. The main cup is recessed back into the door to leave a flush appearance. For use on doors, wardrobes or cupboards. Part of the Steelworx Stainless Steel range.

