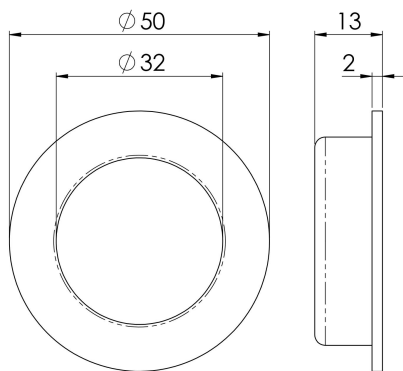


## Steelworx Small Circular Flush Pull

FPH1002



48mm Dia. A circular shaped low profile flush pull which is used mainly on sliding doors. The main cup is recessed back into the door to leave a flush appearance. For use on doors, wardrobes or cupboards.

