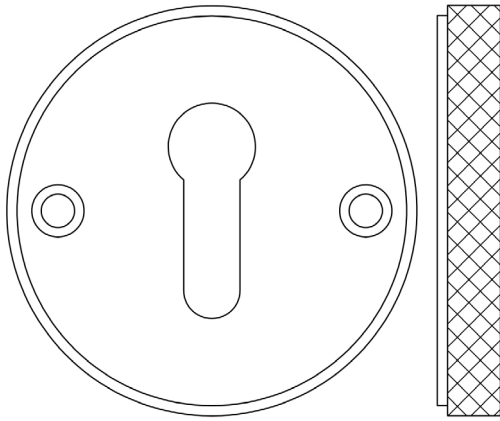


BURLINGTON RANGE



TECHNICAL SPECIFICATION

CODE

BUR182

DESCRIPTION

Standard Escutcheon - Knurled

STANDARDS

PRODUCT SPECIFICATION

- Matt lacquered solid brass

FINISHES

-  Antique Brass
-  Dark Bronze
-  Polished Nickel
-  Satin Brass
-  Satin Nickel

TECHNICAL DRAWING

