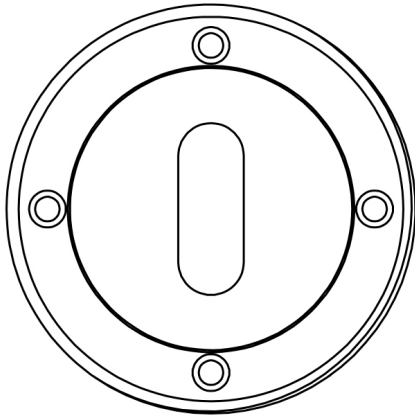


BURLINGTON RANGE



TECHNICAL SPECIFICATION

CODE

BUR60

DESCRIPTION

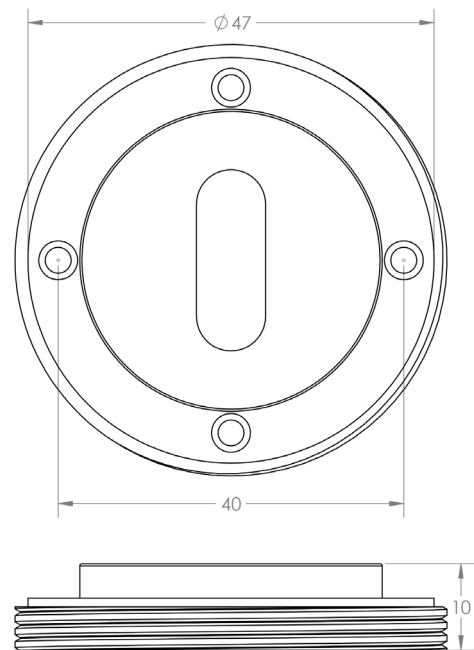
Standard Escutcheon Inner Rose

STANDARDS

PRODUCT SPECIFICATION

- Matt lacquered solid brass
- Variety of outer rose choices

TECHNICAL DRAWING



FINISHES

-  Antique Brass
-  Dark Bronze
-  Polished Nickel
-  Satin Brass
-  Satin Nickel