



Size 2-4



1100mm  
(max door width)

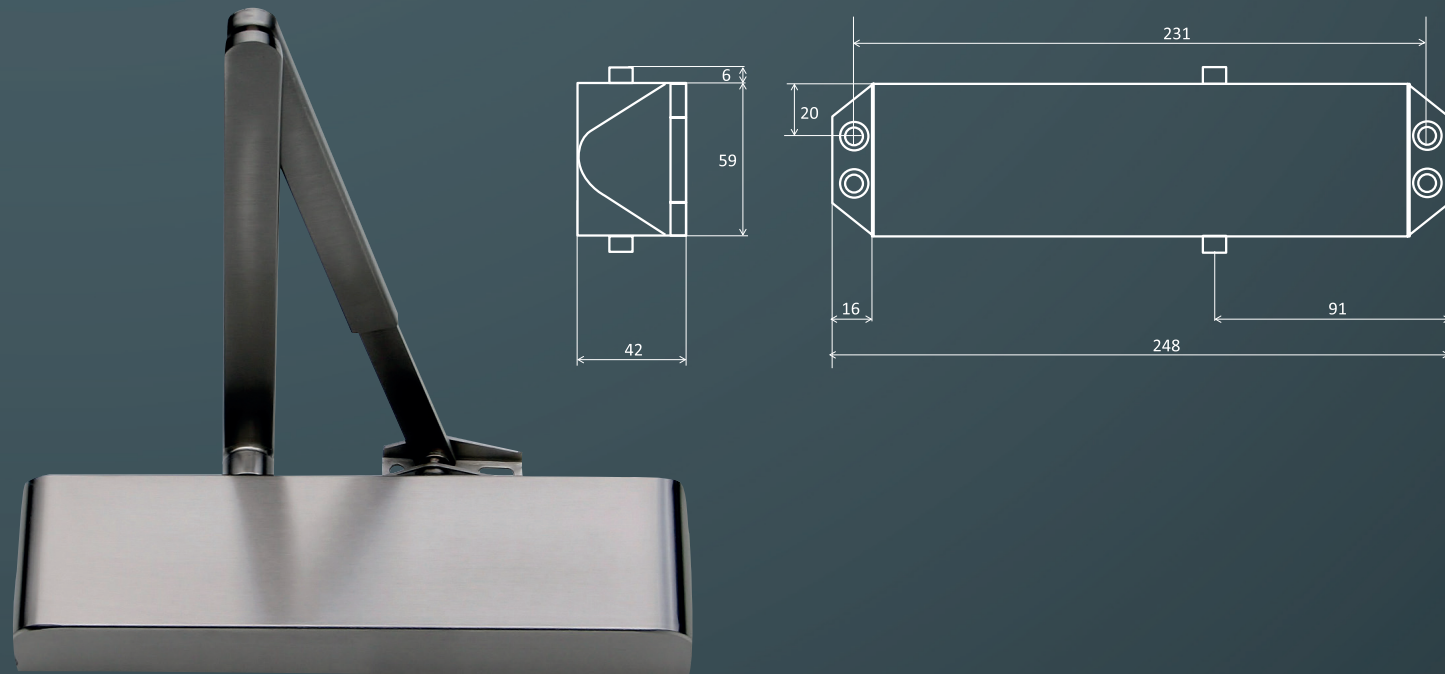


80kg  
(max door weight)



25 Years

# TS5.224V - Spring Adjustable, c/w Back Check



## Product Overview:

An efficient, durable and stylish variable power overhead door closer. Suitable for most applications particularly those with constant use which require a backcheck function.

## Testing & Standards

- CE marked against EN1154
- Included in successful fire test to EN1634
- Suitable for use on timber fire doors of up to 120 minutes fire resistance
- Safe in use
- High corrosion resistance

Specification		TS5.224V
Closing force	EN size	2-4
Door size (max)	Width (mm)	1100
	Weight (kg)	80
Door size (min)	Width (mm)	280
Body dimensions	Length (mm)	248
	Height (mm)	59
	Depth (mm)	42
Application	Pull side fig 1	✓
	Push side fig 66	✓
Mechanism	Rack & pinion	✓
Angle of opening		180°
Non handed		✓
Power adjustment by spring		✓
Adjustable sweep speed		✓
Adjustable latch speed		✓
Adjustable back check		✓

Options	TS5.224V
Hold-open arm (not suitable for use on fire doors)	✓*

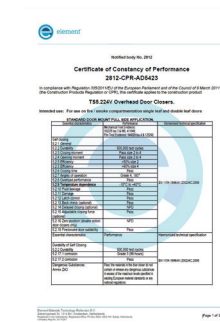
Cover options	TS5.224V
Semi-radius	✓

Finish options	TS5.224V
Cover & matching sissor arm	SIL ✓
	SSS ✓
	PB ✓
	PSS ✓
	RAL/Lacquered ✓
	Special plated finishes ✓

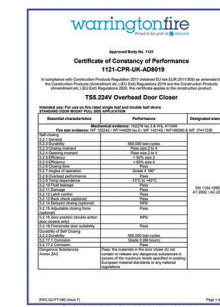
Tested to EN1154	TS5.224V
------------------	----------

4 8  $\frac{2}{4}$  1 1 3 - fig.1  
3 8  $\frac{3}{4}$  1 1 3 - fig.66

## CE certificate



## UKCA certificate



## Certifire certificate



## Finishes



## Cover

