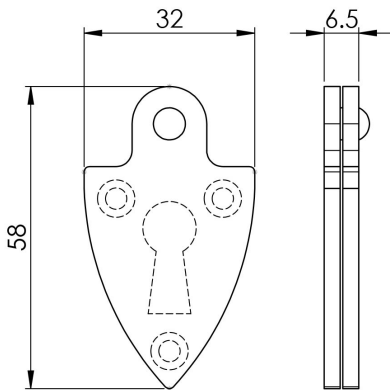


Shield Covered Escutcheon

LF5533 Range



Black Antique shield covered keyhole escutcheon. The sliding shield swivels at the top revealing the keyhole and the replicated design beneath. Comes with a 10 year mechanical guarantee. Ludlow Black Antique is a traditional range of furniture with a powder coated Black finish.

