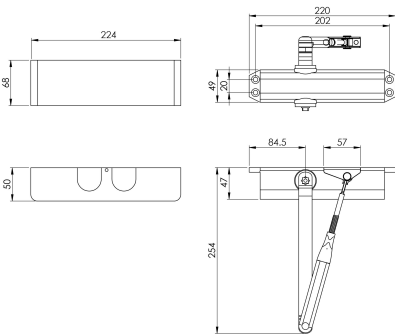


Overhead Door Closers

CDG420



CDG420 is a template adjustable overhead door closer, EN 2 " 4, which is suitable for inward or outward opening doors up to 80kg in weight, and/or 1100mm wide. It has been successfully tested in all installation applications to BS EN1154:1996, and covered by CE and Certifire accreditations. Suitable for use on timber fire doors, up to 120 minute rating. Includes a cover and Fig6 bracket as standard.

