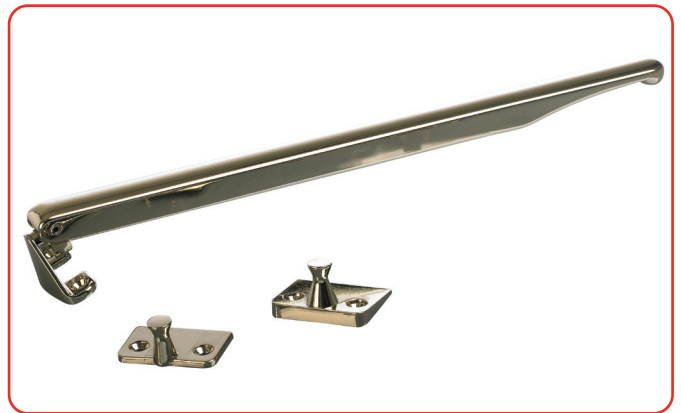


Craftsman Casement Stay Bar Non Locking

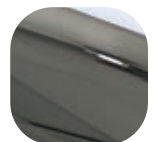


Features

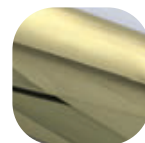
- **Solid die cast Zinc construction**
Heavyweight stay bar with sturdy feel
- **Classic design with a contemporary twist**
Create an elegant and stylish window
- **Matching casement fastener available**
Perfectly matching hardware for every application
- **Supplied with colour matching screws**
Perfectly matching hardware, even down to the smallest details
- **Non handed**
Universal handle suitable for left and right handed windows, reduces stock holding



Hardex
Chrome



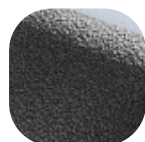
Hardex
Bronze



Hardex
Gold



White



Antique
Black



Black

Craftsman Casement Stay Non Locking

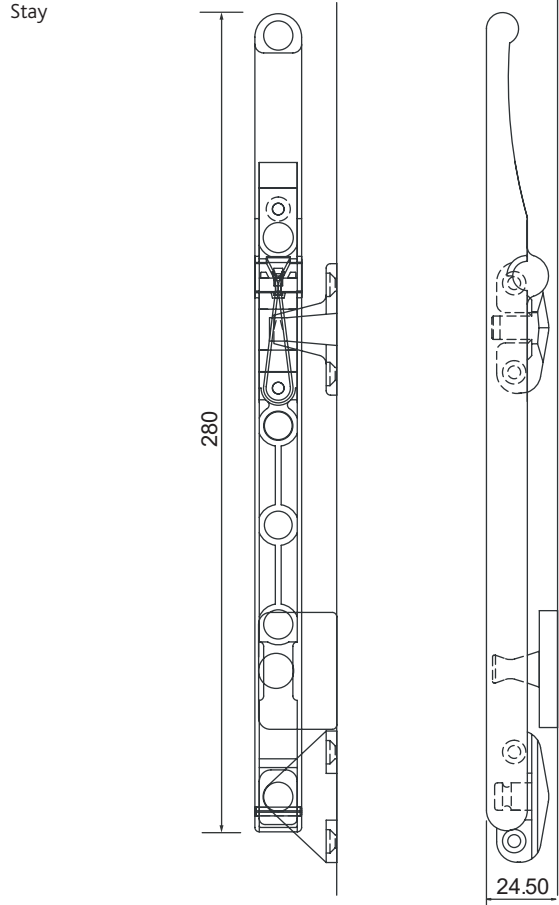
Ordering Details	
Product	
Craftsman Casement Stay Bar Non Locking	
Finish	Part No.
Hardex Chrome	0J301
Hardex Satin	0J302
Hardex Bronze	0J303
Hardex Gold	0J305
Antique Black	0J306
White	0J300
Black	8A049

For additional part numbers please contact our sales office.

Technical Information	
Corrosion resistance Meets the requirements of BS EN 1670:2007 Grade 5 (480 hours)	
Material Specification	
Stay Bar and Plates:	High quality Zinc for all finishes
Coatings:	Hardex Chrome, Satin, Bronze, Gold, Antique Black, White and Black.

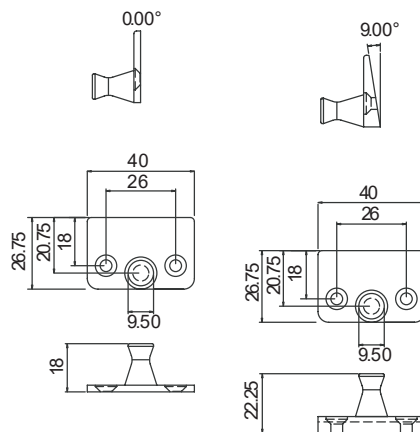
Maintenance
For continued protection of the quality finish and appearance, Fab&Fix advise routine cleaning of all our external hardware. Moving parts should also be lightly lubricated at least twice a year. This procedure is particularly essential if products are used within a 25-mile radius of coastal areas or close proximity to building sites or large industrial areas, where more frequent cleaning may be required to prevent the accumulation of corrosive contaminants.

Packaging
Stay Bars Individually bagged with screws and care instructions. 40 stay bars in an outer box.



0° Peg Plate

9° Peg Plate



All dimensions are in mm and are nominal.
Fab&Fix reserves the right to change specification without notice
It is the responsibility of the window manufacturer to ensure that the finished product meets any required safety and performance specification.