

## Architectural Window Handle



### Features

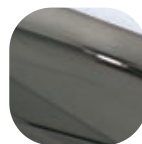
- Modern contemporary design**  
 Suited to the Architectural range of door and window furniture
- Solid die cast construction**  
 Heavyweight handle with sturdy feel
- Heavy duty sprung latching wedge**  
 Positive click on closing
- Long handle**  
 Greater leverage and easy to operate without catching a hand on the window
- Ergonomically designed flush button**  
 Button becomes an integral part of the handle design
- Patented cover caps with colour coordinated finish**  
 Perfectly matching components, even down to the smallest details
- Key clicks into place when inserted**  
 Won't fall out of the lock, even when pivoting the lever
- Slotted spindle (40mm version only)**  
 Allows cropping to 5mm increments
- Supplied with screw and spindle pack**  
 Everything needed for installation included



Hardex Chrome



White



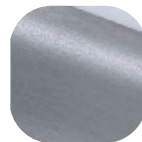
Hardex Bronze



Hardex Gold



Black



Hardex Graphite



Hardex Pewter



Anthracite Grey

# Architectural Window Handle

**Ordering Details**

**Product**  
Architectural Inline Locking Window Handle

| Finish          | Part No.            |
|-----------------|---------------------|
|                 | <b>40mm Spindle</b> |
| Hardex Chrome   | WHAARHC40IL         |
| Hardex Gold     | WHAARHG40IL         |
| Hardex Graphite | WHAARGR40IL         |
| Hardex Bronze   | WHAARHB40IL         |
| Hardex Pewter   | WHAARPT40IL         |
| White           | WHAARWH40IL         |
| Black           | WHAARBL40IL         |
| Anthracite Grey | WHAARAG40IL         |

For details of other spindle lengths available, please contact the sales office

**Technical Information**

**Corrosion resistance**  
Meets the requirements of BS EN 1670:2007 Grade 5 (480 hours)

**Operation**  
Tested to 25,000 cycles

**Material Specification**

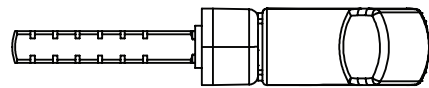
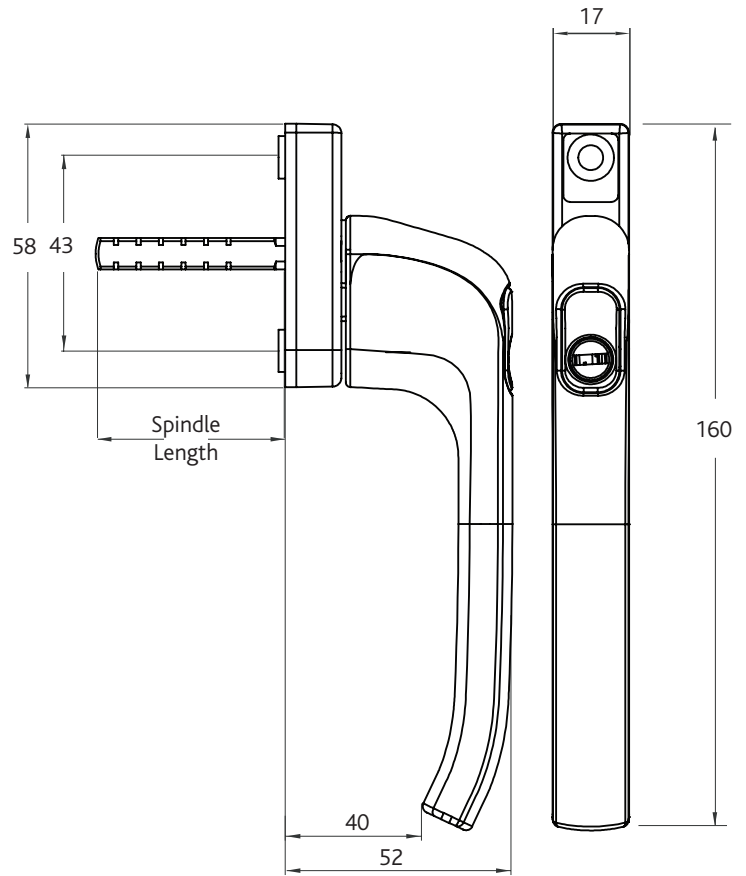
|           |   |
|-----------|---|
| Handle:   | High quality Zinc for all finishes  |
| Coatings: | Hardex Chrome, Hardex Graphite, Hardex Gold, Hardex Bronze, Hardex Pewter, White, Black and Anthracite Grey |

**Maintenance**

For continued protection of the quality finish and appearance, Fab&Fix advise routine cleaning of all our external hardware. Moving parts should also be lightly lubricated at least twice a year. This procedure is particularly essential if products are used within a 25-mile radius of coastal areas or close proximity to building sites or large industrial areas, where more frequent cleaning may be required to prevent the accumulation of corrosive contaminants.

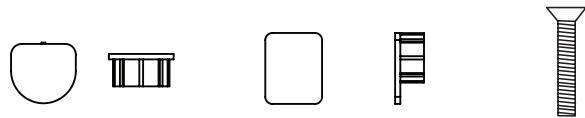
**Packaging**

**Handles**  
Individually bagged with screws and care instructions.  
40 handles in an outer box.



Cover Caps

Screws x 2



All dimensions are in mm and are nominal.  
Fab&Fix reserves the right to change specification without notice  
It is the responsibility of the window manufacturer to ensure that the finished product meets any required safety and performance specification.