



Vetroslide Timber Sliding Door Systems



Product Overview

The Vetroslide Timber sliding hardware offers a traditional look and is ideal for conversions, cottages or renovations on listed buildings for doors up to 100 kg. The exposed hardware is available in stainless steel 304 material and satin brush finish and its nylon coated bearing wheels ensure the hangers move smoothly and silently across the round bar.

Features

- Easy to Install
- Nylon coated wheels supplied with precision sealed ball bearings
- Anti-jump bar prevents door from being removed from track
- Soft closing available, concealed inside the round track
- Choice of hanger styles and finishes available on request
- For internal use only



Technical Specifications

- Maximum Door Weight: 100kg
- Minimum Door Width: 550mm
- Maximum Door Width: 1500mm
- Door Thickness: 35 - 45mm



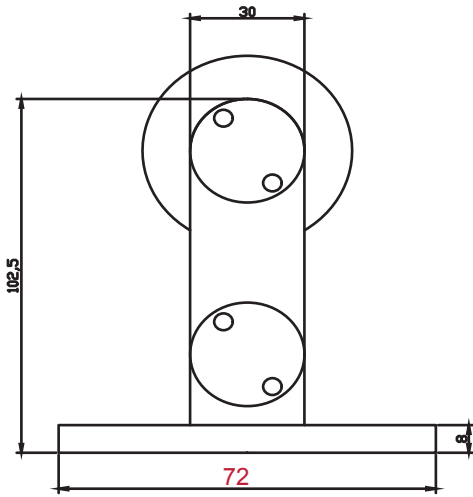
Hanger Types



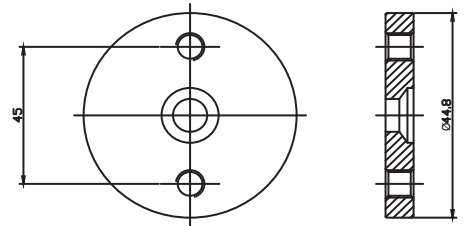
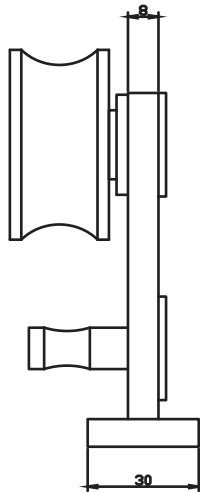
Single roller



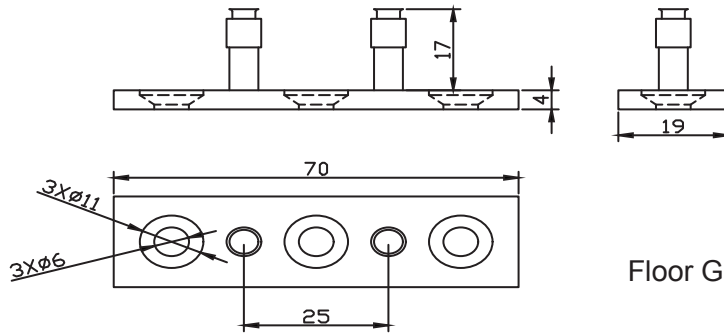
Double roller available on request



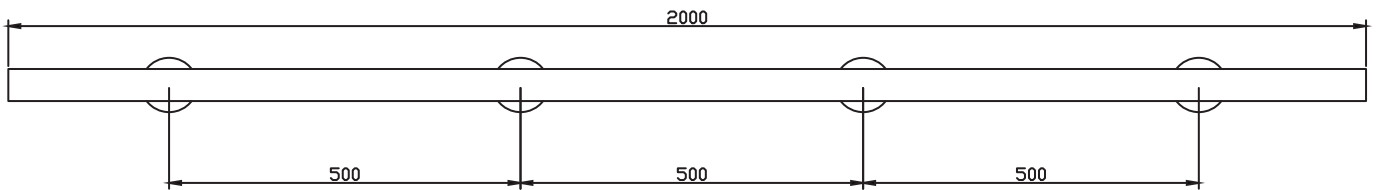
Roller



Bracket



Floor Guide



Track



For further information on our products and services:
Tel: +44 (0)20 8545 6680 sales@coburn.co.uk www.coburn.co.uk

Coburn Sliding Systems
Unit 1, Cardinal West, Cardinal Way, Cardinal Distribution Park,
Godmanchester, Huntingdon, Cambridgeshire, PE29 2XN United Kingdom.

Dealer Stamp

