

BURLINGTON RANGE

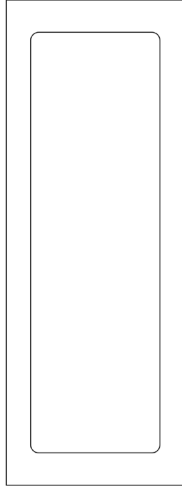
CODE

BUR225

DESCRIPTION

Rectangular Flush Pull

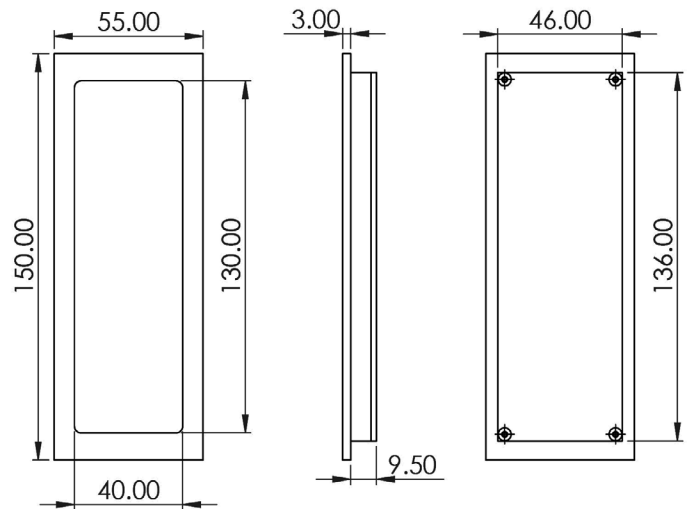
STANDARDS



PRODUCT SPECIFICATION

- Matt lacquered solid brass

TECHNICAL DRAWING



FINISHES

-  Antique Brass
-  Dark Bronze
-  Polished Nickel
-  Satin Brass
-  Satin Nickel