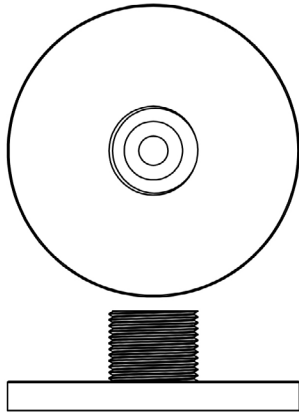


BURLINGTON RANGE



TECHNICAL SPECIFICATION

CODE

BUR971

DESCRIPTION

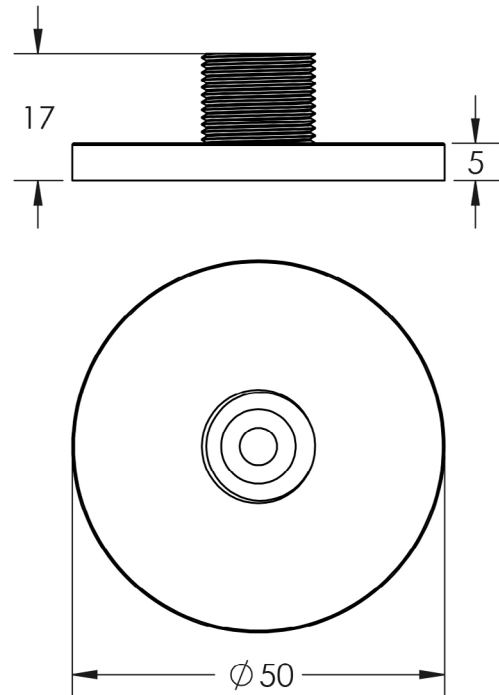
Wall Mounted Door Stop Base - Plain

STANDARDS

PRODUCT SPECIFICATION

- Matt lacquered solid brass
- Wall mounted
- Choice of projection door stop

TECHNICAL DRAWING



FINISHES

-  Antique Brass
-  Dark Bronze
-  Polished Nickel
-  Satin Brass
-  Satin Nickel