

BURLINGTON RANGE

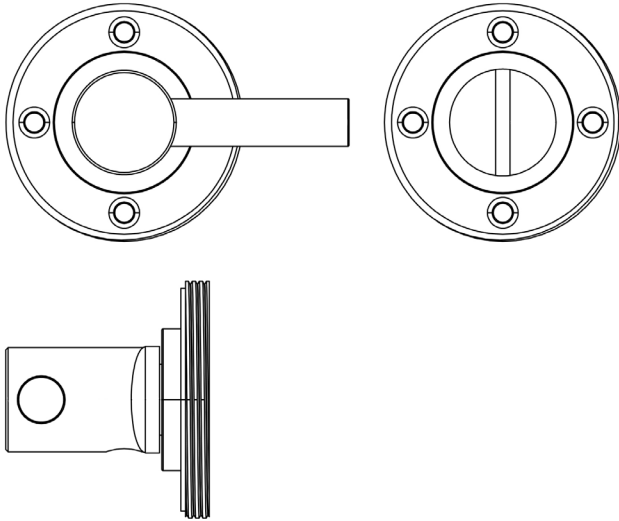
CODE

BUR82

DESCRIPTION

Turn & Release Inner

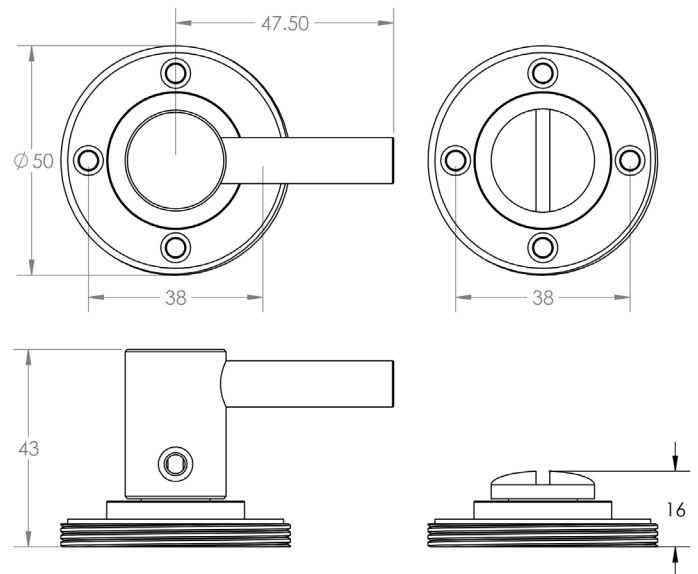
STANDARDS



PRODUCT SPECIFICATION

- Matt lacquered solid brass
- Variety of outer rose choices
- Matches lever rose choices
- Easy turn bar

TECHNICAL DRAWING



FINISHES

-  Antique Brass
-  Dark Bronze
-  Polished Nickel
-  Satin Brass
-  Satin Nickel