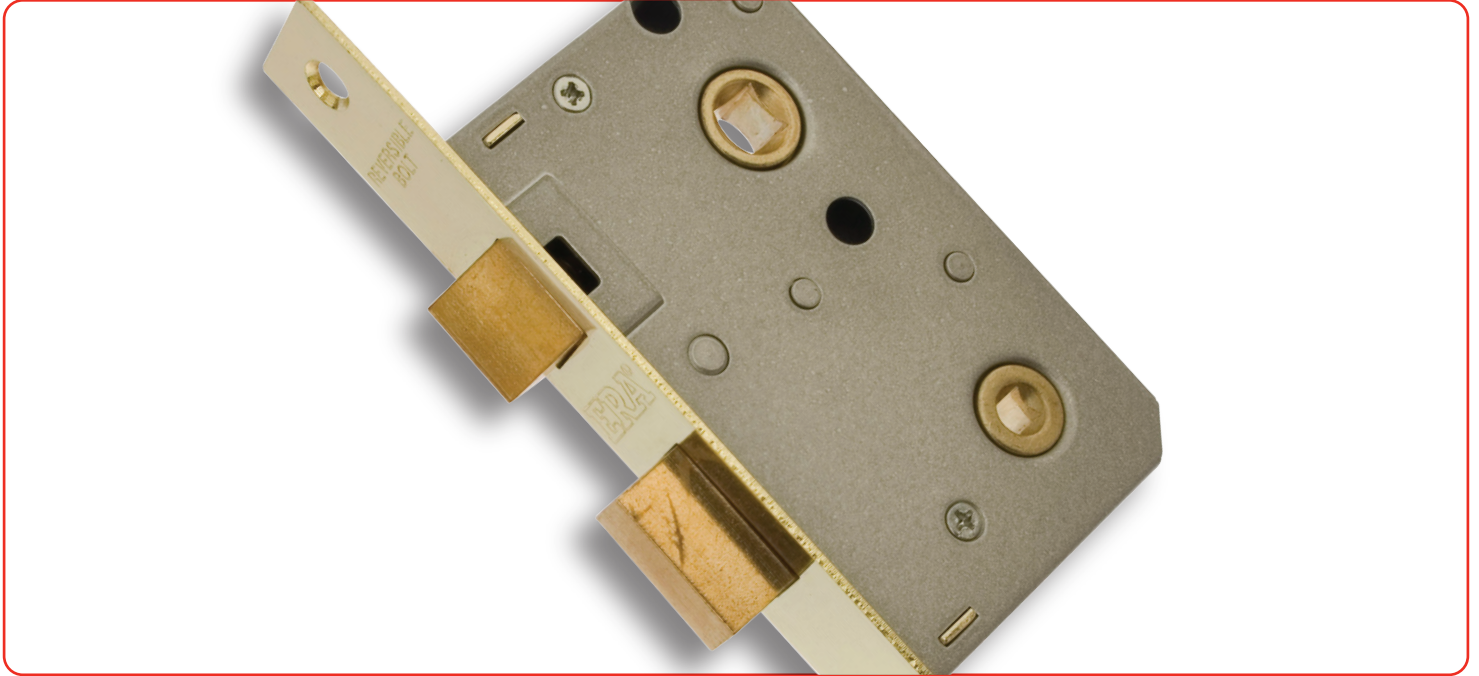


Bathroom Door Lock



Features

- Specially designed for bathroom doors
- Features a deadbolt which is operated by a thumbturn handle
- Easily reversible latch bolt, fitting both left and right hinged inward or outward opening doors
- Available in 64mm (2½") and 76mm (3") backsets
- Brass Effect and Chrome Effect finishes available



Bathroom Door Lock

Ordering Details

Bathroom Door Lock

Finish	Part No. Retail Boxed Version	Part No. Boxed Version
Brass Effect 64mm (2½")	243-37	243-31
Chrome Effect 64mm (2½")	243-67	243-61
Brass Effect 76mm (3")	343-37	343-31
Chrome Effect 76mm (3")	343-67	343-61

Rounded forends and keeps available, please contact the sales department for more information.

Packaging

Boxed version

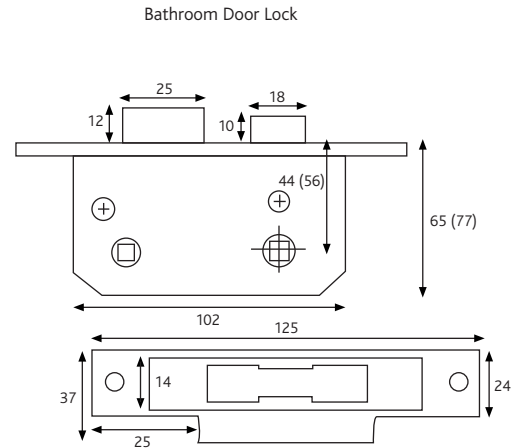
1 lock per inner box, 10 locks per outer box.
0.42Kg per item, 4.2Kg per outer box

Retail Boxed version

Cardboard packaging with euro hooks. 1 lock per retail box, 5 retail boxes per outer box. 0.4Kg per item, 2.0Kg per outer box

Maintenance

Wipe the surface periodically with a soft cloth to remove excess grease or moisture.



All dimensions are in mm and are nominal. Numbers in brackets relate to 3" version of lock. Diagram illustrates product in locked position.

ERA reserves the right to change specification without notice. It is the responsibility of the door manufacturer to ensure that the finished product meets any required safety and performance specification.