

## Craftsman Casement Fastener Non Locking

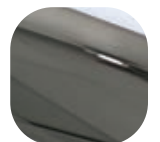


### Features

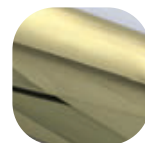
- **Solid die cast Zinc construction**  
Heavyweight handle with sturdy feel
- **Classic design with a contemporary twist**  
Create an elegant and stylish window
- **Matching casement stay available**  
Perfectly matching hardware for every application
- **Supplied with colour matching screws**  
Perfectly matching hardware, even down to the smallest details
- **Dedicated non locking handle**  
Conforms to building regulations for non locking windows



Hardex  
Chrome



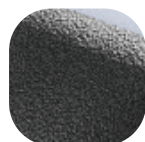
Hardex  
Bronze



Hardex  
Gold



White



Antique  
Black



Black

## Craftsman Casement Fastener Non Locking

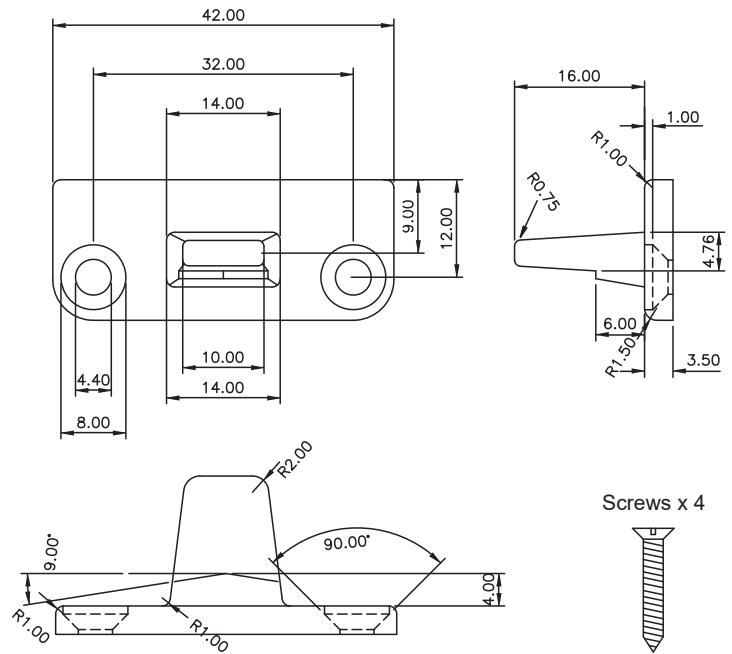
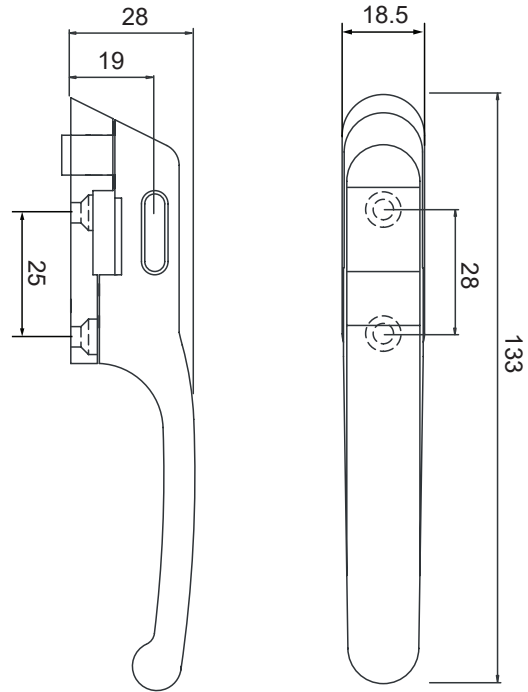
Ordering Details	
Product	
<b>Craftsman Casement Fastener Non Locking</b>	
Finish	Part No.
Hardex Chrome	OJ101
Hardex Bronze	OJ103
Hardex Gold	OJ105
Antique Black	OJ106
White	OJ100
Black	8A047

For additional part numbers please contact our sales office.

Technical Information	
<b>Corrosion resistance</b>	Meets the requirements of BS EN 1670:2007 Grade 5 (480 hours)
<b>Operation</b>	Endurance tested in excess of 50,000 cycles
<b>Performance</b>	Tested to meet the requirements of PAS 24 as part of a compliant window
Material Specification	
Handle Grip and Backplate:	High quality Zinc for all finishes
Coatings:	Hardex Chrome, Satin, Bronze, Gold, Antique Black, White and Black.

Maintenance	
For continued protection of the quality finish and appearance, Fab&Fix advise routine cleaning of all our external hardware. Moving parts should also be lightly lubricated at least twice a year. This procedure is particularly essential if products are used within a 25-mile radius of coastal areas or close proximity to building sites or large industrial areas, where more frequent cleaning may be required to prevent the accumulation of corrosive contaminants.	

Packaging	
<b>Handles</b>	Individually bagged with screws and care instructions. 40 handles in an outer box.



All dimensions are in mm and are nominal.  
 Fab&Fix reserves the right to change specification without notice  
 It is the responsibility of the window manufacturer to ensure that the finished product meets any required safety and performance specification.